



- 3 standard enclosures
- Easy to install
- Extremely flexible
- Customer-tailored solutions

ComEx is a flexible system offering standard as well as customer-specific local control and indicating units.

You have the choice between three standard enclosures which can accommodate up to three different control and indicating devices. Combinations of up to three ComEx enclosures are possible.

Either stuffing box glands in M20 x 1.5 and M25 x 1.5 made of plastic or cable glands made of metal are available for the electrical connection.

The plastic glands require no lock nuts.

Metal glands are screwed into a metal earth plate sheet inside of the enclosure. Maximum amount of cable glands: two off M20.

To ensure easier operation on site, each enclosure can be equipped with an individual info-label.

For offshore applications special oil-resistant attachments are available.

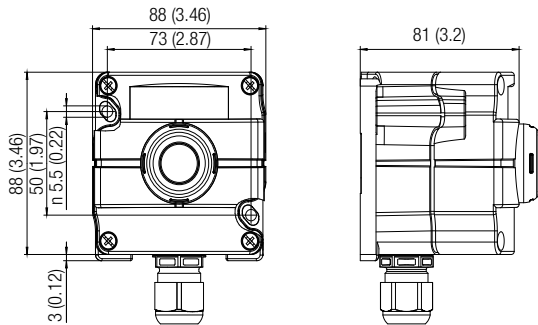
### Explosion protection

Marking ATEX	Ⓧ II 2G Ex d e IIC T6 Gb or Ⓧ II 2G Ex d e ia IIC T6 Gb Ⓧ II 2D Ex tb IIIC T80°C Db
Certification	CML 14 ATEX 3073 X
Marking IECEx	Ex db eb IIC T6 Gb Ex db eb ia IIC T6 Gb Ex tb IIIC T80°C Db
Certification	IECEx CML 14.0029X
Other approvals and certificates, see <a href="http://www.bartec-group.com">www.bartec-group.com</a>	
Ambient temperature	up to -55 °C ≤ Ta ≤ +60 °C
Product printing	Standard: ATEX and IECEx marking. Other markings on request. Please specify in plain text.

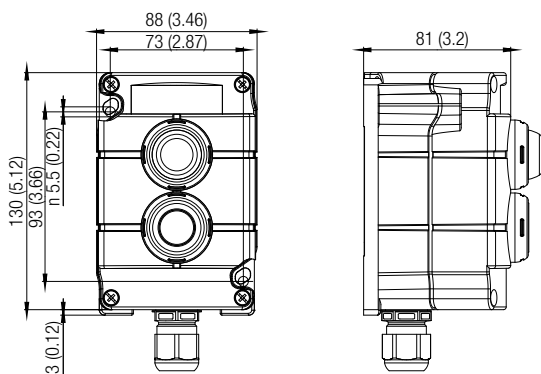
### Technical data

Connection	Terminals 2.5 mm <sup>2</sup>
PE conductor terminals	4 x 2.5 mm <sup>2</sup>
Rated insulation voltage	max. AC 690 V
Nominal current	max. 16 A
Cable entry	M20 x 1.5 for cable Ø 7 to 13 mm M25 x 1.5 for cable Ø 12 to 17 mm M25 x 1.5 for cable Ø 14 to 18 mm
Enclosure	thermoplastic
Protection class	up to IP 66/IP 67

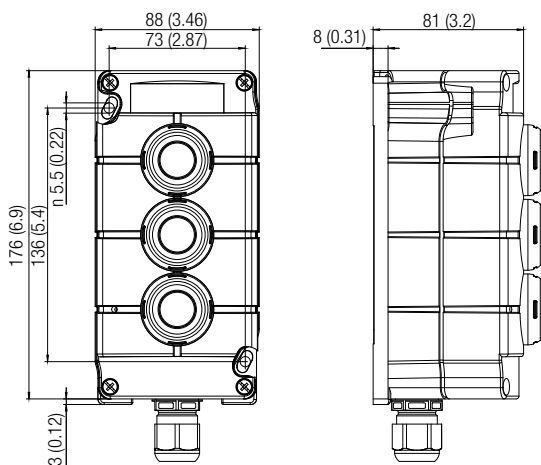
Control unit, single Type 07-3511-....



Control station, double Type 07-3512-....



Control station, triple Type 07-3513-....



**Selection chart** Actuator elements






Illustration	Description	Code no.
	Pushbutton with rubber membrane and with five loose labels: red, green, yellow, white, black	P7
	Double pushbutton actuator with rubber membrane, 5 loose labels in red, green, yellow, white, black	P2
	Emergency/Stop marked 'NOT/AUS EMERGENCY/STOP'	N8
	Locking mushroom push button pushed in without a key unlocked with a key DOM lock 4 A 185	K3
	Mushroom pushbutton, black	P8
	Position selector switch 2 positions, 0 + I latching	S9
	Position selector switch 3 positions I-0-II I + II latching I + II momentary-contact I latching, II momentary-contact I momentary-contact, II latching	S0 S1 S2 S3

**Selection chart** Actuator elements

Illustration	Description	Code no.
	Lock (DOM) lockable in both positions key retractable in both positions lock 4 A 185	K0
	lockable in its depressed position, key retractable in its depressed position lock 4 A 185	K1
	lockable in its initial position, key retractable in its initial position lock 4 A 185 (tip lock)	K2
	Lock (RONIS) Lock 455  2 switching positions 0-I latching, key retractable	E0
	2 switching positions 0-I momentary contact, position I key not retractable	E1
	3 switching positions I-0-II latching on both sides, key retractable	E2
	Lamp red green yellow white blue	LR LG LY LW LB
	Illuminated button actuator red green yellow white blue	TR TG TY TW TB
	Blanking plug black, to cover unused holes in the front panel	B1
	Potentiometer actuating element black, scale 1 - 10	D0



Selection chart Modules

Illustration	Description	Code no.	
	Switch module		
	1 NC/1 NO	4	
	2 NC 2 NO	1 2	
	Indicator light		
	red	R	
	green	G	
	yellow	Y	
	white	W	
	blue	B	
	Illuminated button		
	red 1 NO	RB	
	green 1 NO	GB	
	yellow 1 NO	YB	
	white 1 NO	WB	
	blue 1 NO	BB	
	red 1 NC	RA	
	green 1 NC	GA	
	yellow 1 NC	YA	
	white 1 NC	WA	
	blue 1 NC	BA	
		Potentiometer	
		Resistance values	
		1 kΩ	4
2.2 kΩ		5	
4.7 kΩ 10 kΩ		6 7	
	Terminal block	6	
	with 6 modular terminals 2.5 mm <sup>2</sup> , Ex e II		

Complete order no.

Actuator element resp. Lamp module operator



Switch module resp. Indicator light or Terminal block



Measuring instrument



Please insert code number.

Control unit, single Ex e 07-3511-10/Ex i 07-3514



Control unit, double Ex e 07-3512-10/Ex i 07-3515



Control unit, double Ex e 07-3512-10/Ex i 07-3515



Control unit, triple Ex e 07-3513-10/Ex i 07-3516



Control unit, triple Ex e 07-3513-10/Ex i 07-3516



**Selection chart** Accessories

Illustration	Description	Order no.
	<p>Cable gland</p> <p>zur for inserting permanent cables and leads</p> <p>Ex e, black domed cap nuts</p> <p>Ex i, blue domed cap nuts (intrinsically safe circuit)</p> <p>see capture Installation systems/Cable glands</p>	<p>03-6062-01..</p> <p>03-6065-00..</p>
	<p>Locking device</p> <p>(without padlock) for ComEx enclosure</p> <p>NIRO frame, transparent hood of high-quality thermoplast</p>	
	<p>Protective metal shroud</p> <p>for emergency stop actuating element</p> <p>to prevent accidental switching</p>	
	<p>External earth stud</p> <p>for outside-connection</p>	
	<p>Conduit adapter</p> <p>tested adapter for ComEx enclosure</p> <p>with NPT internal thread</p> <p>Thread 1/2" NPT</p> <p>Thread 3/4" NPT</p>	
	<p>Earth plate ComEx</p> <p>for earthing of metal cable glands</p> <p>Thread 1 x M20</p> <p>Thread 2 x M20</p> <p>Thread 1 x M25</p>	<p>05-0012-0114</p> <p>05-0012-0115</p> <p>05-0012-0116</p>
	<p>Installation kit for control switches</p> <p>in control units</p> <p>for enclosures with wall thicknesses of 1 to 2 mm</p> <p>for enclosures with wall thicknesses of 2.5 to 5 mm</p>	<p>05-0091-0187</p> <p>05-0091-0188</p>