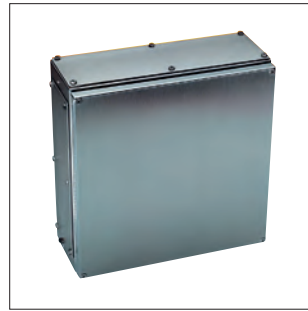
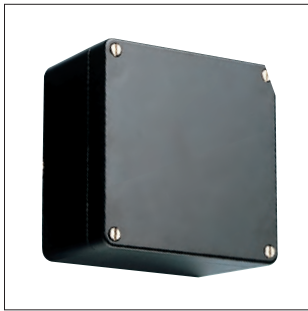
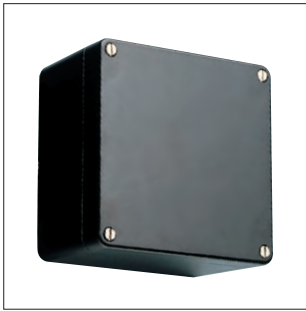


INSTALLATION SYSTEMS



- Zones 1/21 and 2/22
- Wide range of sizes
- SS, GRP, AC

Enclosures	Polyester	Aluminium	High-quality stainless steel
Fields of application	Chemical and Petrochemical industry OFF-SHORE Mechanical engineering Refineries	Chemical and Petrochemical industry OFF-SHORE Mechanical engineering Refineries	Chemical and Petrochemical industry OFF-SHORE Mechanical engineering Refineries Food industry Navigation
Functions	Electrical distributions/controls Sensor/actuator terminal box Local control stations and bus connections within the Ex area	Electrical distributions/controls Sensor/actuator terminal box	Electrical distributions/controls Sensor/actuator terminal box Local control stations and bus connections within the Ex area
Requirements	Ex area Zone 1 and 2 International approvals chemical-resistant High protection class for mounted components Seawater-proof Flame-retardant Halogen-free, UV-resistant High temperature resistant corrosion-proof	Ex area Zone 1 and 2 International approvals chemical-resistant High protection class for mounted components Flame-retardant Halogen-free, UV-resistant Special varnishes	Ex area Zone 1 and 2 International approvals chemical-resistant High protection class for mounted components Seawater-proof Flame-retardant Halogen-free, UV-resistant Suitable for installations outdoors and in aggressive atmospheres



- Zones 1/21 and 2/22
- Chemical resistance
- Wide range of sizes

Polyester enclosures have proven their worth in many industrial plants. They offer safe protection even when they are used under extremely unfavorable conditions, on exposure to aggressive chemical media or hard mechanical conditions. The inside base of the enclosure has at its sides, threaded bushings for the fastening of mounting rails or panels. The enclosure is mounted by means of insulated screws outside of the lid seal.

Explosion protection

Ex enclosure black Type 07-5185-..../....	
Marking ATEX	⊕ II 2G Ex e IIC Gb ⊕ II 2D Ex tb IIIC Db IP 66
Certification	PTB 08 ATEX 1062 U
Marking IECEx	Ex e IIC Gb Ex tb IIIC Db IP 66
Certification	PTB 09.0008U
Ex enclosure grey Type 07-5184-..../....	
Marking ATEX	⊕ II 2G Ex e IIC Gb
Certification	PTB 08 ATEX 1062 U
Marking IECEx	Ex e IIC Gb
Certification	PTB 09.0008U
Other approvals and certificates, see www.bartec.de	

Technical data

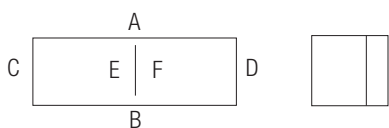
Material	glass-fiber reinforced polyester, EN 60079-0, halogen-free black surface resistance < 10 ⁹ Ω grey surface resistance > 10 ¹² Ω
Colour	black: RAL 9005 grey: RAL 7000/RAL 7001
Lid screws	stainless steel cross-head (+ -) (other models on request)
Standard seal	EPDM -20 °C to +95 °C optional Silicone -55 °C to +100 °C
Mechanical resistance	impact energy 7 Nm (EN/IEC 60079-0)
Protection class	IP 66 EN/IEC 60529

Ordering information Empty enclosure

External dimensions (L x B x H) mm	Polyester black, IP 66	Polyester grey, IP 66
	Order no.	Order no.
80 x 75 x 55	07-5195-0800/7555	07-5194-0800/7555
110 x 75 x 55	07-5195-1100/7555	07-5194-1100/7555
160 x 75 x 55	07-5195-1600/7555	07-5194-1600/7555
190 x 75 x 55	07-5195-1900/7555	07-5194-1900/7555
122 x 120 x 90	07-5195-1221/2090	07-5194-1221/2090
122 x 120 x 120	07-5195-1221/2012	07-5194-1221/2012
220 x 120 x 90	07-5195-2201/2090	07-5194-2201/2090
160 x 160 x 90	07-5195-1601/6090	07-5194-1601/6090
160 x 160 x 120	07-5195-1601/6012	07-5194-1601/6012
260 x 160 x 90	07-5195-2601/6090	07-5194-2601/6090
360 x 160 x 90	07-5195-3601/6090	07-5194-3601/6090
560 x 160 x 90	07-5195-5601/6090	07-5194-5601/6090
200 x 250 x 120	07-5195-2002/5012	07-5194-2002/5012
255 x 250 x 120	07-5195-2552/5012	07-5194-2552/5012
255 x 250 x 160	07-5195-2552/5016	07-5194-2552/5016
400 x 250 x 120	07-5195-4002/5012	07-5194-4002/5012
400 x 250 x 160	07-5195-4002/5016	07-5194-4002/5016
400 x 405 x 120	07-5195-4004/0512	07-5194-4004/0512
400 x 405 x 165	07-5195-4004/0516	07-5194-4004/0516

Technical data subject to change without notice.

Dimensions (mm)



The dimensions indicated on this page apply to the following polyester enclosures and distribution boxes:

IP enclosure	black	07-5195-.../...
IP enclosure	grey	07-5194-.../...
Ex enclosure	black	07-5185-.../...
Ex enclosure	grey	07-5184-.../...
IP distribution box	black	07-5178-.../...
IP distribution box	grey	07-5177-.../...
Ex e distribution box	black	07-5103-.../...
Ex e distribution box	grey	07-5106-.../...
Ex i distribution box	black	07-5105-.../...
Ex i distribution box	grey	07-5107-.../...

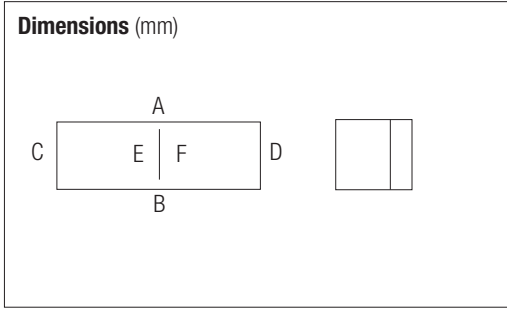
Technical data

External dimensions	80 x 75 x 55 mm	
Weight	230 g	
Material	polyester, grey, black	
Article no.	07-51 □□ -0800/7555	

External dimensions	110 x 75 x 55 mm	
Weight	280 g	
Material	polyester, grey, black	
Article no.	07-51 □□ -1100/7555	

External dimensions	160 x 75 x 55 mm	
Weight	370 g	
Material	polyester, grey, black	
Article no.	07-51 □□ -1600/7555	

External dimensions	190 x 75 x 55 mm	
Weight	430 g	
Material	polyester, grey, black	
Article no.	07-51 □□ -1900/7555	

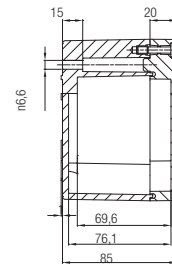
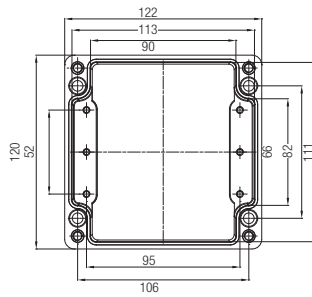


The dimensions indicated on this page apply to the following polyester enclosures and distribution boxes:

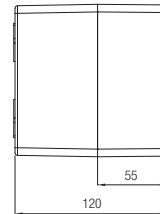
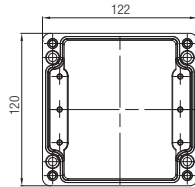
IP enclosure	black	07-5195-.../...
IP enclosure	grey	07-5194-.../...
Ex enclosure	black	07-5185-.../...
Ex enclosure	grey	07-5184-.../...
IP distribution box	black	07-5178-.../...
IP distribution box	grey	07-5177-.../...
Ex e distribution box	black	07-5103-.../...
Ex e distribution box	grey	07-5106-.../...
Ex i distribution box	black	07-5105-.../...
Ex i distribution box	grey	07-5107-.../...

Technical data

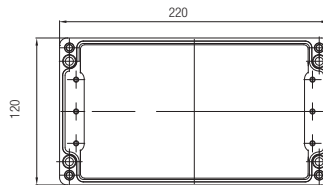
External dimensions	122 x 120 x 90 mm
Weight	660 g
Material	polyester, grey, black
Article no.	07-51 □□ -1221/2090



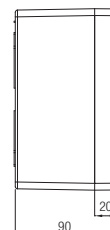
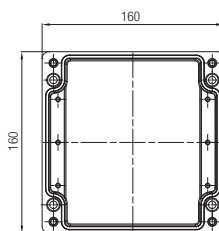
External dimensions	122 x 120 x 120 mm
Weight	890 g
Material	polyester, grey, black
Article no.	07-51 □□ -1221/2012

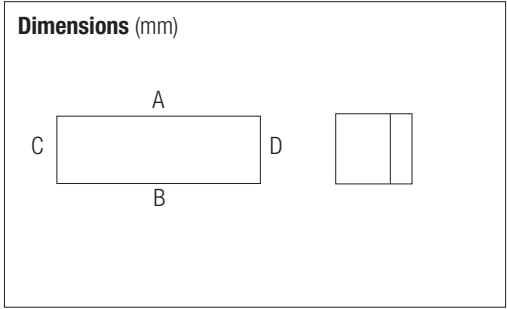


External dimensions	220 x 120 x 90 mm
Weight	1040 g
Material	polyester, grey, black
Article no.	07-51 □□ -2201/2090



External dimensions	160 x 160 x 90 mm
Weight	1280 g
Material	polyester, grey, black
Article no.	07-51 □□ -1601/6090



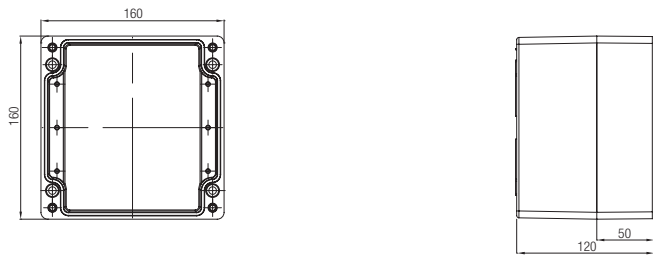


The dimensions indicated on this page apply to the following polyester enclosures and distribution boxes:

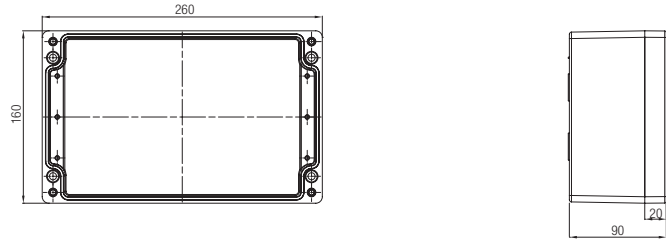
IP enclosure	black	07-5195-.../...
IP enclosure	grey	07-5194-.../...
Ex enclosure	black	07-5185-.../...
Ex enclosure	grey	07-5184-.../...
IP distribution box	black	07-5178-.../...
IP distribution box	grey	07-5177-.../...
Ex e distribution box	black	07-5103-.../...
Ex e distribution box	grey	07-5106-.../...
Ex i distribution box	black	07-5105-.../...
Ex i distribution box	grey	07-5107-.../...

Technical data

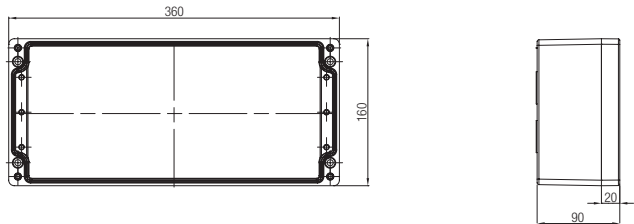
External dimensions	160 x 160 x 120 mm
Weight	1500 g
Material	polyester, grey, black
Article no.	07-51 □□ -1601/6012



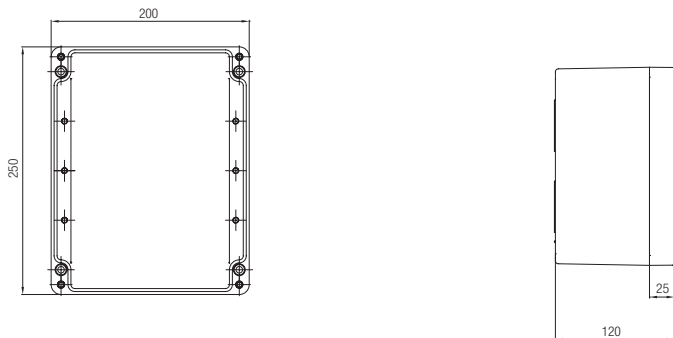
External dimensions	260 x 160 x 90 mm
Weight	1750 g
Material	polyester, grey, black
Article no.	07-51 □□ -2601/6090

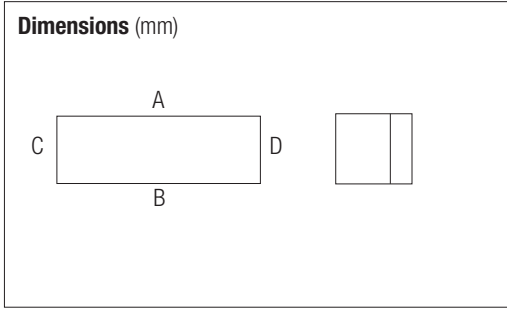


External dimensions	360 x 160 x 90 mm
Weight	2300 g
Material	polyester, grey, black
Article no.	07-51 □□ -3601/6090



External dimensions	200 x 250 x 120 mm
Weight	2320 g
Material	polyester, grey, black
Article no.	07-51 □□ -2552/5012





The dimensions indicated on this page apply to the following polyester enclosures and distribution boxes:

- IP enclosure black 07-5195-.../...
- IP enclosure grey 07-5194-.../...
- Ex enclosure black 07-5185-.../...
- Ex enclosure grey 07-5184-.../...
- IP distribution box black 07-5178-.../...
- IP distribution box grey 07-5177-.../...
- Ex e distribution box black 07-5103-.../...
- Ex e distribution box grey 07-5106-.../...
- Ex i distribution box black 07-5105-.../...
- Ex i distribution box grey 07-5107-.../...

Technical data

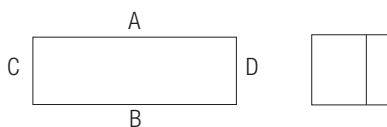
External dimensions	255 x 250 x 120 mm	
Weight	2730 g	
Material	polyester, grey, black	
Article no.	07-51 □□ -2552/5012	

External dimensions	255 x 250 x 160 mm	
Weight	3275 g	
Material	polyester, grey, black	
Article no.	07-51 □□ -2552/5016	

External dimensions	400 x 250 x 120 mm	
Weight	3650 g	
Material	polyester, grey, black	
Article no.	07-51 □□ -4002/5012	

External dimensions	400 x 250 x 160 mm	
Weight	4800 g	
Material	polyester, grey, black	
Article no.	07-51 □□ -4002/5016	

Dimensions (mm)

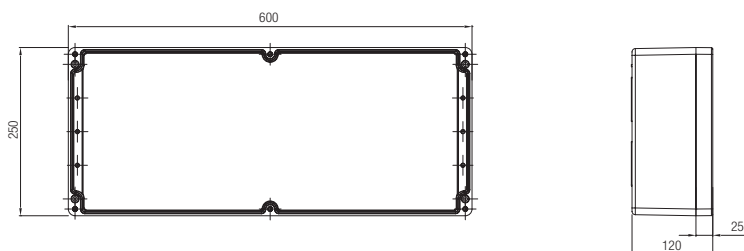


The dimensions indicated on this page apply to the following polyester enclosures and distribution boxes:

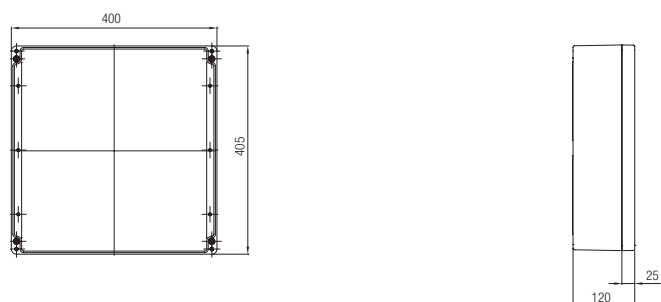
IP enclosure	black	07-5195-.../...
IP enclosure	grey	07-5194-.../...
Ex enclosure	black	07-5185-.../...
Ex enclosure	grey	07-5184-.../...
IP distribution box	black	07-5178-.../...
IP distribution box	grey	07-5177-.../...
Ex e distribution box	black	07-5103-.../...
Ex e distribution box	grey	07-5106-.../...
Ex i distribution box	black	07-5105-.../...
Ex i distribution box	grey	07-5107-.../...

Technical data

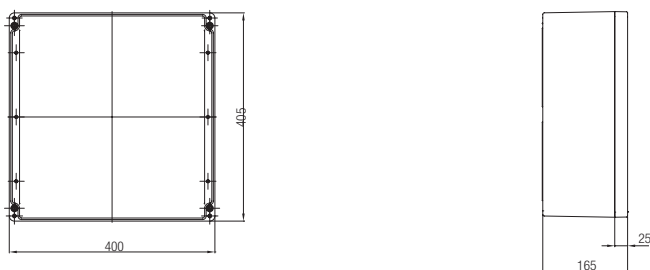
External dimensions	600 x 250 x 120 mm
Weight	5380 g
Material	polyester, grey, black
Article no.	07-51 □□ -6002/5012



External dimensions	400 x 405 x 120 mm
Weight	5080 g
Material	polyester, grey, black
Article no.	07-51 □□ -4004/0512



External dimensions	400 x 405 x 165 mm
Weight	7740 g
Material	polyester, grey, black
Article no.	07-51 □□ -4004/0516



Technical data subject to change without notice.



- Simple
- Quick use
- Preassembled

The explosion-proof terminal boxes of glass-fiber reinforced plastic come with pillar terminals. Lid and base are secured with captive screws. The box has pillar terminals and threads (see selection chart). All holes for cable entries not used, have to be sealed by means of Ex-certified stopping plugs. The terminal box is also suitable for the connection of intrinsically safe circuits. Such cases require special markings. The box is mounted via fixing holes located outside of the terminal compartment.

Fields of application: Connection of lamps, devices and sensors, Zone 1/Zone 2

Explosion protection (EN 60079-0)

Marking ATEX	Ⓔ II 2G Ex e II T6
Certification	PTB 08 ATEX 1061
Marking IECEx	Ex e II T6
Certification	PTB 09.0066x
Other approvals and certificates, see www.bartec.de	
Ambient temperature	-20 °C to +40 °C

Technical data

Material	glass-fibre reinforced polyester, colour: RAL 7035
Lid screws	stainless steel, captive, cross-head, M 4
Seals	EPDM -20 °C to +80 °C
Door latch	Locking system with casement fastener (other models on request) with double-bit key
Mechanical resistance	according to EN 60079-0 impact energy 7 Nm
Protection class	IP 65 (EN/IEC 605299)
Terminals	4 or 5 Ex e II, pillar terminals according to execution max. 2 x 4 mm ² , single-wire
Rated voltage	max. 690 V
Rated current	max. 27 A

Ordering information Terminal boxes Ex e, 690 V (just drilling, without cable glands)

Description	Order no.
4 sheath clamps 2 x 4 mm ² , 1 x M20 x 1.5 + 2 x M20 x 1.5	07-5311-2320/DD00
5 sheath clamps 2 x 4 mm ² , 1 x M20 x 1.5 + 2 x M20 x 1.5	07-5311-2420/DD00

Ordering information Terminal boxes Ex e, 690 V (with metric polyamide cable glands)

Description	Order no.
4 sheath clamps 2 x 4 mm ² , 1 x M20 x 1.5 (6 to 12), 2 x M20 x 1.5 (5 to 9)	07-5311-9014
3 x M20 x 1.5 (6 to 12)	07-5311-2320/FF00
1 x M20 x 1.5 (10 to 14), 2 x M20 x 1.5 (6 to 12)	07-5311-9016
5 sheath clamps 2 x 4 mm ² , 1 x M20 x 1.5 (6 to 12), 2 x M20 x 1.5 (5 to 9)	07-5311-9015
3 x M20 x 1.5 (6 to 12)	07-5311-2420/FF00
1 x M20 x 1.5 (10 to 14), 2 x M20 x 1.5 (6 to 12)	07-5311-9017

Ordering information Terminal boxes Ex i (with metric polyamide cable glands)

Description	Order no.
4 sheath clamps 2 x 4 mm ² , 3 x M20 x 1.5 (6 to 12)	07-5311-9009
5 sheath clamps 2 x 4 mm ² , 3 x M20 x 1.5 (6 to 12)	07-5311-9010

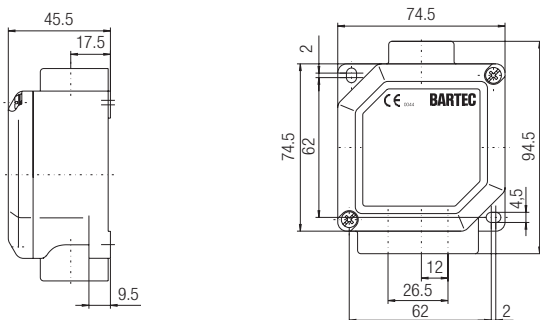
Ordering information Accessories/spare parts

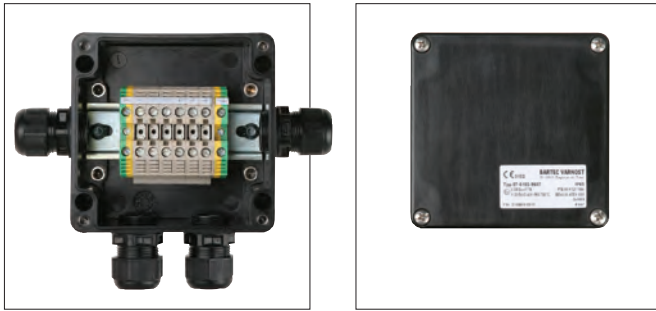
	Cable glands	Stopping plugs
M20 x 1.5	03-6062-0127 (6 to 12 mm)	03-5210-0064
M20 x 1.5	07-9534-2M2 (5 to 9 mm)	-
M20 x 1.5	07-9534-3M2 (10 to 14 mm)	-

Technical data subject to change without notice.

Please note:
New version under development. For additional details, please get in touch.

Dimensions (in mm)





- Robust
- Functional
- Engineered to order

Polyester distribution boxes have been of great advantage in many industrial plants. They offer safe protection even when they are exposed to extreme environmental conditions, aggressive chemical media or high mechanical stress. The narrow sides within the enclosure hold threaded bushings for the fixing of terminal rails or mounting panels. The enclosure is mounted by means of insulated screws outside of the lid sealing gasket. These black high-quality explosion-proofed enclosures are used in hazardous areas by inflammable dust (Zone 21 and 22). The fundamental prerequisites of the “protection through enclosure” protection class are fulfilled with the heating up calculation as per the accompanying sheet and a separate IP protection test. EC model test certification was issued in 2000 by the nominated body IBExU.

Option

External feet of high-quality stainless steel

Components

Rail-mounted terminals, terminal markers, cable glands, mounting panels, rails, type labels, labels

Installation instructions

The installer must make sure that the enclosure used is suitable for the corresponding field of application. This means that the marking must correspond to the classification of the Ex area. Also must the temperature class of the distribution box meet the respective requirements.

Explosion protection

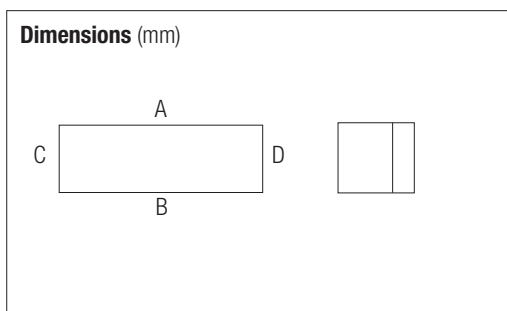
IP distribution box	black 07-5178-..../....
Ex e distribution box	black 07-5103-..../....
Ex i distribution box	black 07-5105-..../....
Marking ATEX	Ⓢ II 2G Ex e IIA, IIB, IIC T6, T5 Gb Ⓢ II 2G Ex ia/ib IIA, IIB, IIC T6, T5 Gb Ⓢ II 2D Ex tb IIIC T80 °C, T95 °C Db IP 66 Ⓢ II 2D Ex ia/ib IIIC T80 °C, T95 °C Db
Certification	PTB 08 ATEX 1064 Zone 1/21 and 2/22
Marking IECEx	Ex e IIA, IIB, IIC T6, T5 Gb Ex ia/ib IIA, IIB, IIC T6, T5 Gb Ex tb IIIC T80 °C, T95 °C Db IP 66 Ex ia/ib IIIC T80 °C, T95 °C Db
Certification	Zone 1/21 und 2/ 22 PTB 09.0009X
Other approvals and certificates, see www.bartec.de	

Explosion protection

IP distribution box	grey 07-5177-..../....
Ex e distribution box	grey 07-5106-..../....
Ex i distribution box	grey 07-5107-..../....
Marking ATEX	Ⓢ II 2G Ex e IIA, IIB, IIC T6, T5 Gb Ⓢ II 2G Ex ia/ib IIA, IIB, IIC T6, T5 Gb
Certification	Zone 1/21and 2/22 PTB 08 ATEX 1064
Marking IECEx	Ex e IIA, IIB, IIC T6, T5 Gb Ex ia/ib IIA, IIB, IIC T6, T5 Gb
Certification	Zone 1/21and 2/22 PTB 09.0009X
Other approvals and certificates, see www.bartec.de	
Ambient temperature ranges	-20 °C (-55 °C) to +40 °C at T6 -20 °C (-55 °C) to +55 °C at T5 (special temperature ranges on request)

Technical data

Material	glass-fibre reinforced polyester, EN 60079-0, halogen-free black surface resistance < 10 ⁹ Ω grey surface resistance > 10 ¹² Ω
Colour	black: RAL 9005 grey: RAL 7000/RAL 7001
Lid screws	stainless steel, captive cross-head (+ -) (other models on request)
Standard seals	EPDM -20 °C to +95 °C optional silicone -55 °C to +100 °C
Mechanical resistance	impact energy 7 Nm (EN/IEC 60079-0)
Protection class	IP 66 EN/IEC 60529
Rated voltage	max. 1 100 V

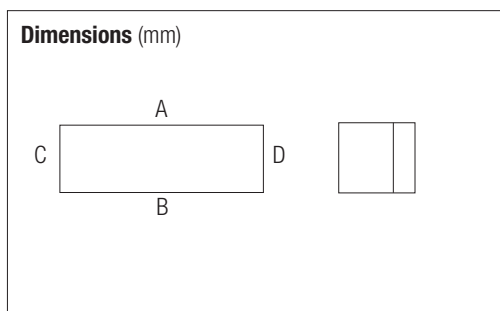


The table on this page applies to the following polyester distribution boxes:

IP distribution box	black	07-5178-.../...
IP distribution box	grey	07-5177-.../...
Ex e distribution box	black	07-5103-.../...
Ex e distribution box	grey	07-5106-.../...
Ex i distribution box	black	07-5105-.../...
Ex i distribution box	grey	07-5107-.../...

Rail-mounted terminal components/maximum number

Polyester distribution boxes Article no.	Mini-terminal 07-9702-....		AKZ4 03-7112-0006		WDU 2.5 03-7111-0012		WDU 2.5 bl 03-7111-0012		WDU 4 03-7112-0015	
	mounting rail	Terminals per rail	mounting rail	Terminals per rail	mounting rail	Terminals per rail	mounting rail	Terminals per rail	mounting rail	Terminals per rail
07- [] [] [] [] -0800/7555	1	6	1	8	-	-	-	-	-	-
07- [] [] [] [] -1100/7555	1	8	1	13	-	-	-	-	-	-
07- [] [] [] [] -1600/7555	1	12	1	21	-	-	-	-	-	-
07- [] [] [] [] -1900/7555	1	16	1	26	-	-	-	-	-	-
07- [] [] [] [] -2300/7550	1	19	1	32	-	-	-	-	-	-
07- [] [] [] [] -1221/2090	2	8	1	14	1	16	1	16	1	14
07- [] [] [] [] -1221/2012	2	8	1	14	1	16	1	16	1	14
07- [] [] [] [] -2201/2090	2	17	1	30	1	35	1	35	1	30
07- [] [] [] [] -1601/6090	-	-	2	18	1	24	1	23	1	20
07- [] [] [] [] -1601/6012	-	-	2	18	1	24	1	23	1	20
07- [] [] [] [] -2601/6090	-	-	2	34	1	43	1	42	1	34
07- [] [] [] [] -3601/6090	-	-	-	-	1	60	1	62	1	50
07- [] [] [] [] -2552/5012	-	-	-	-	2	43	3	42	2	35
07- [] [] [] [] -2552/5016	-	-	-	-	2	43	3	42	2	35
07- [] [] [] [] -4002/5012	-	-	-	-	2	67	3	70	2	56
07- [] [] [] [] -4002/5016	-	-	-	-	2	67	3	70	2	56
07- [] [] [] [] -4004/0512	-	-	-	-	3	67	5	70	3	56
07- [] [] [] [] -4004/0516	-	-	-	-	3	67	5	70	3	56
07- [] [] [] [] -6002/5012	-	-	-	-	2	108	2	110	1	91

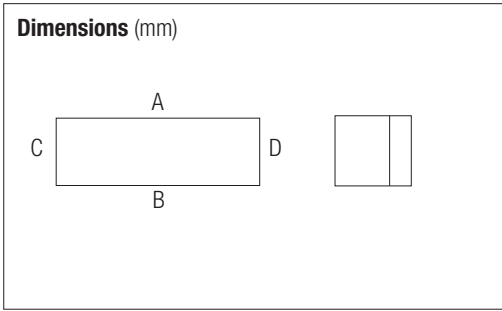


The table on this page applies to the following polyester distribution boxes:

IP distribution box	black	07-5178-.../...
IP distribution box	grey	07-5177-.../...
Ex e distribution box	black	07-5103-.../...
Ex e distribution box	grey	07-5106-.../...
Ex i distribution box	black	07-5105-.../...
Ex i distribution box	grey	07-5107-.../...

Cable glands/maximum number

Article no.	Side	M12 x 1.5	M16 x 1.5	M20 x 1.5 extended	M20 x 1.5 extended	M20 x 1.5 extended	M25 x 1.5	M32 x 1.5	M40 x 1.5	M50 x 1.5	M63 x 1.5
07-□□□□ -0800/7555	A/B C/D	4 1	2 1	2 -	2 -	1 -	1 -	- -	- -	- -	- -
07-□□□□ -1100/7555	A/B C/D	6 1	4 1	3 -	3 -	2 -	2 -	- -	- -	- -	- -
07-□□□□ -1600/7555	A/B C/D	12 1	6 1	5 -	4 -	4 -	3 -	- -	- -	- -	- -
07-□□□□ -1900/7555	A/B C/D	15 1	8 1	6 -	5 -	5 -	4 -	- -	- -	- -	- -
07-□□□□ -1221/2090	A/B C/D	13 4	9 4	5 2	5 2	4 2	3 1	2 1	1 1	1 -	- -
07-□□□□ -1221/2012	A/B C/D	13 4	9 4	5 2	5 2	4 2	3 1	2 1	1 1	1 -	- -
07-□□□□ -2201/2090	A/B C/D	28 4	18 4	12 2	11 2	10 2	5 1	3 1	3 1	2 -	- -
07-□□□□ -1601/6090	A/B C/D	18 8	14 8	8 5	8 4	6 4	4 2	2 2	2 1	1 -	- -
07-□□□□ -1601/6012	A/B C/D	18 8	14 8	8 5	8 4	6 4	4 2	2 2	1 1	1 -	- -
07-□□□□ -2601/6090	A/B C/D	33 8	26 8	17 5	14 4	12 4	7 2	4 2	3 1	3 -	- -
07-□□□□ -3601/6090	A/B C/D	48 8	38 8	24 5	20 4	18 4	10 2	6 2	5 1	4 -	- -
07-□□□□ -2002/5012	A/B C/D	24 12	16 12	10 10	9 8	7 8	4 4	3 3	2 2	2 2	- 2
07-□□□□ -2552/5012	A/B C/D	53 12	34 12	23 10	20 8	18 8	9 4	7 3	4 2	3 2	2 2
07-□□□□ -2552/5016	A/B C/D	53 12	34 12	23 10	20 8	18 8	9 4	7 3	4 2	3 2	2 2
07-□□□□ -4002/5012	A/B C/D	88 12	58 12	38 10	35 8	30 8	17 4	13 3	6 2	5 2	4 2
07-□□□□ -4002/5016	A/B C/D	88 12	58 12	38 10	35 8	30 8	17 4	13 3	6 2	5 2	4 2
07-□□□□ -4004/0512	A/B C/D	88 26	58 20	38 16	35 14	30 10	17 6	13 4	6 2	5 4	4 3
07-□□□□ -4004/0516	A/B C/D	135 42	89 38	58 34	53 30	46 24	26 8	20 5	9 3	7 6	4 4
07-□□□□ -6002/5012	A/B C/D	130 12	84 12	56 10	52 8	46 8	24 4	18 3	10 2	6 2	4 2



The table on this page applies to the following polyester distribution boxes:

IP distribution box	black	07-5178-.../...
IP distribution box	grey	07-5177-.../...
Ex e distribution box	black	07-5103-.../...
Ex e distribution box	grey	07-5106-.../...
Ex i distribution box	black	07-5105-.../...
Ex i distribution box	grey	07-5107-.../...

External dimensions, earth bars, mounting panels

Polyester enclosure Article no.	External dimensions in mm			Earth bars				Mounting panel
	Length	Width	Height	Type	Order no.	Type	Order no.	Order no.
07- [] [] [] [] -0800/7555	80	75	55	MK 2	05-0012-0006	-	-	05-2105-0002
07- [] [] [] [] -1100/7555	110	75	55	MK 2	05-0012-0006	-	-	05-2105-0003
07- [] [] [] [] -1600/7555	160	75	55	MK 2	05-0012-0006	-	-	05-2105-0004
07- [] [] [] [] -1900/7555	190	75	55	MK 2	05-0012-0006	-	-	05-2105-0005
07- [] [] [] [] -1221/2090	122	120	90	QS 3	05-0012-0091	LS 4	05-0012-0100	05-0105-0100
07- [] [] [] [] -1221/2012	122	120	120	QS 3	05-0012-0091	LS 4	05-0012-0100	05-0105-0100
07- [] [] [] [] -2201/2090	220	120	90	QS 3	05-0012-0091	LS 9	05-0012-0101	05-0105-0101
07- [] [] [] [] -1601/6090	160	160	90	QS 5	05-0012-0092	LS 5	05-0012-0010	05-0105-0103
07- [] [] [] [] -1601/6012	160	160	120	QS 5	05-0012-0092	LS 5	05-0012-0010	05-0105-0103
07- [] [] [] [] -2601/6090	260	160	90	QS 5	05-0012-0092	LS 11	05-0012-0102	05-0105-0104
07- [] [] [] [] -3601/6090	360	160	90	QS 5	05-0012-0092	LS 16	05-0012-0103	05-0105-0105
07- [] [] [] [] -2552/5012	255	250	120	QS 9	05-0012-0096	LS 11	05-0012-0105	05-0105-0113
07- [] [] [] [] -2552/5016	255	250	160	QS 9	05-0012-0096	LS 11	05-0012-0105	05-0105-0113
07- [] [] [] [] -4002/5012	400	250	120	QS 9	05-0012-0096	LS 18	05-0012-0016	05-0105-0114
07- [] [] [] [] -4002/5016	400	250	160	QS 9	05-0012-0096	LS 18	05-0012-0016	05-0105-0114
07- [] [] [] [] -4004/0512	400	405	120	QS 15	05-0012-0097	LS 18	05-0012-0016	05-0105-0117
07- [] [] [] [] -4004/0516	400	405	120	QS 15	05-0012-0097	LS 18	05-0012-0016	05-0105-0117
07- [] [] [] [] -6002/5012	600	250	120	QS 9	05-0012-0096	LS 28	05-0012-0106	05-0105-0199

Technical data subject to change without notice.



- Robust
- Functional
- High available

Polyester distribution boxes have been of great advantage in many industrial plants. They offer safe protection even when they are exposed to extreme environmental conditions, aggressive chemical media or high mechanical stress. The narrow sides within the enclosure hold threaded bushings for the fixing of terminal rails or mounting panels. The enclosure is mounted by means of insulated screws outside of the lid sealing gasket. These black high-quality explosion-proofed enclosures are used in hazardous areas by inflammable dust (Zone 21 and 22). The fundamental prerequisites of the „protection through enclosure“ protection class are fulfilled with the heating up calculation as per the accompanying sheet and a separate IP protection test.

Technical data

Protection class	IP 66
Material	glass-fibre reinforced polyester, EN 60079-0, halogen-free
Colour	RAL 9005, black
Electrical resistance	surface resistance < 10 ⁹ Ω

Explosion protection

Marking ATEX	Ⓜ II 2G Ex e ia/ib IIA, IIB, IIC T6, T5 Gb Ⓜ II 2G Ex IIA, IIB, IIC T6, T5 Gb Ⓜ II 2D Ex tb IIIC T80 °C, T95 °C Db IP 66 Ⓜ II 2D Ex ia/ib IIIC T80 °C, T95 °C Db
Certification	PTB 08 ATEX 1064
Marking IECEx	Ex e ia/ib IIA, IIB, IIC T6, T5 Gb Ex IIA, IIB, IIC T6, T5 Gb Ex tb IIIC T80 °C, T95 °C Db IP 66 Ex ia/ib IIIC T80 °C, T95 °C Db
Certification	PTB 09.0009X
Other approvals and certificates, see www.bartec.de	
Ambient temperature	-20 °C to +40 °C at T6 -20 °C to +55 °C at T5 optional -55 °C to +40 °C at T6 -55 °C to +55 °C at T5

Ordering information

Dimensions (mm)					Terminals	Order no.
	side A	side B	side C	side D		
110 x 75	1 x M20 x 1.5 1 x M25 x 1.5	2 x M20 x 1.5 1 x M20*	-	-	10 x AKZ4 + 2 x PE	07-5103-9601
122 x 120	2 x M20 x 1.5	2 x M20 x 1.5	1 x M20 x 1.5*	1 x M20 x 1.5*	10 x WDU4 + 2 x PE	07-5103-9602
220 x 120	4 x M16 x 1.5 4 x M20 x 1.5*	4 x M16 x 1.5 4 x M20 x 1.5 1 x M25 x 1.5*	-	-	25 x WDU4 + 6 x PE	07-5103-9604
122 x 120	-	2 x M20 x 1.5	1 x M20 x 1.5	1 x M20 x 1.5	8 x WDU4 + 2 x PE	07-5103-9606
122 x 120	-	2 x M25 x 1.5	1 x M25 x 1.5	1 x M25 x 1.5*	6 x WDU6 + 2 x PE	07-5103-9608

* Sealing plug

Technical data subject to change without notice.



Type 07-5103-9601
 Dimensions 110 x 75 x 55 mm
 Terminals 10 x AKZ4 + 2AKE4

Type 07-5103-9604
 Dimensions 220 x 120 x 90 mm
 Terminals 25 x WDU4 + 6 x WPE4

Type 07-5103-9602
 Dimensions 122 x 120 x 90 mm
 Terminals 10 x WDU4 + 2 x WPE4

Type 07-5103-9606
 Dimensions 122 x 120 x 90 mm
 Terminals 8 x WDU4 + 2 x WPE4

Type 07-5103-9608
 Dimensions 122 x 120 x 90 mm
 Terminals 6 x WDU6 + 2 x WPE4



- GRP
- Hinged
- Big volume

BARTEC offers nine different types of polyester enclosures with door as distribution boxes for Ex e. The enclosures safely protect against mechanical stress and resist even the most extreme environmental conditions.

Explosion protection

Marking ATEX	Ⓔ II 2G Ex e ia/ib IIC T6, T5 Gb Ⓔ II 2D Ex tb IIIC T80 °C, T95 °C Db IP 66 Ⓔ II 2D Ex ia/ib IIIC T80 °C db IP 66
Certification	PTB 08 ATEX 1066
Marking IECEx	Ex e ia/ib IIC T6, T5 Gb Ex tb IIIC T80 °C, T95 °C Db IP 66 Ex ia/ib IIIC T80 °C db IP 66
Certification	PTB 13.0017
Other approvals and certificates, see www.bartec.de	

Technical data

Material	glass-fibre reinforced polyester enclosure with hinged door, EN 60079 surface resistance < 10 ⁹ Ω, steel sheet mounting panel, RAL 2000
Paint	glassfibre reinforced polyester, EN 60079-0, halogen-free
Colour	RAL 9005, black
Dorlock	Locking system with casement fastener double way cam lock (other models on request)
Standard seals	foamed PU seal -20 °C to +80 °C
Mechanical resistance	impact energy 7 Nm (EN/IEC 60079)
Protection class	EN/IEC 60529, IP 66 EN 60079-0 (07-5187-8000/0130 in IP 56)

Accessories

Supplied with steel sheet mounting panel. Wall mounting brackets on request.

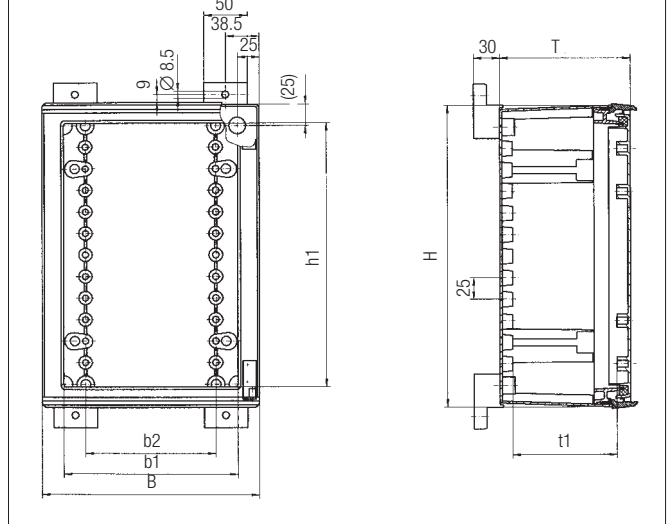
Components

Rail-mounted terminals, terminal markers, cable glands, mounting panels, rails, labels

Installation instructions

The installer must make sure that the enclosure used is suitable for the corresponding field of application. This means that the marking must correspond to the classification of the Ex area. Also must the temperature class of the distribution box meet the respective requirements.

Dimensions



Ordering information

External dimensions (mm) Length (L) x Width (B) x Height (H)	Empty Ex enclosure, Type 07-5187-.../.... Order no.	Ex e distribution box, Type 07-5109-.../.... Order no.	Ex i distribution box, Type 07-5110-.../.... Order no.
200 x 300 x 150	07-5187-2003/0015	07-5109-2003/0015	07-5110-2003/0015
250 x 350 x 150	07-5187-2503/5015	07-5109-2503/5015	07-5110-2503/5015
300 x 400 x 200	07-5187-3004/0020	07-5109-3004/0020	07-5110-3004/0020
400 x 400 x 200	07-5187-4004/0020	07-5109-4004/0020	07-5110-4004/0020
400 x 600 x 200	07-5187-4006/0020	07-5109-4006/0020	07-5110-4006/0020
600 x 600 x 200	07-5187-6006/0020	07-5109-6006/0020	07-5110-6006/0020
500 x 500 x 300	07-5187-5005/0030	07-5109-5005/0030	07-5110-5005/0030
600 x 800 x 300	07-5187-6008/0030	07-5109-6008/0030	07-5110-6008/0030
800 x 1000 x 300	07-5187-8000/0130	07-5109-8000/0130	07-5110-8000/0130

Ordering information

External dimensions (mm) Length (L) x Width (B) x Height (H)	b1	h1	t1	b2	Weight (kg)	Order no.
200 x 300 x 150	140	256	130	100	3.7	07-5187-20030015
250 x 350 x 150	190	306	130	150	4.6	07-5187-25035015
300 x 400 x 200	240	355	180	200	6.0	07-5187-30040020
400 x 400 x 200	340	354	180	300	6.5	07-5187-40040020
400 x 600 x 200	340	554	180	300	11.5	07-5187-40060020
600 x 600 x 200	440	454	280	400	12.9	07-5187-50050030
500 x 500 x 300	540	554	180	500	15.9	07-5187-60060020
600 x 800 x 300	485	753	280	500	24.3	07-5187-60080030
800 x 1000 x 300	685	953	280	700	30.0	07-5187-80000130

The following table applies to polyester enclosures/distribution boxes with door

Empty Ex enclosure	black	07-5187-..../....	
Ex e distribution boxes	black	07-5109-..../....	
Ex i distribution boxes	black	07-5110-..../....	

Each enclosure side wall has only a limited number of gland entries to ensure the mechanical stability of the enclosure.

Ordering information Assembly cable glands/maximum number

Article no.	Side	M12 x 1.5	M16 x 1.5	M16 x 1.5	M20 x 1.5	M20 x 1.5	M25 x 1.5	M32 x 1.5	M40 x 1.5	M50 x 1.5	M63 x 1.5
07- [] [] [] [] -2003/0015	A/B	24	18	12	8	8	2	2	2	2	-
	C/D	24	18	6	4	4	2	-	-	-	-
07- [] [] [] [] -2503/5015	A/B	32	24	18	12	12	4	2	2	2	-
	C/D	32	24	12	8	8	2	2	2	2	-
07- [] [] [] [] -3004/0020	A/B	60	50	32	32	24	12	8	4	4	2
	C/D	60	50	24	24	24	12	4	4	4	2
07- [] [] [] [] -4004/0020	A/B	96	70	48	40	40	24	12	8	8	4
	C/D	60	50	24	24	24	12	4	4	4	2
07- [] [] [] [] -4006/0020	A/B	96	70	48	40	40	24	12	8	8	4
	C/D	120	90	56	52	44	24	12	10	10	4
07- [] [] [] [] -6006/0020	A/B	156	110	80	72	64	36	20	16	16	6
	C/D	120	90	56	52	44	24	12	10	10	4
07- [] [] [] [] -5005/0030	A/B	220	162	128	112	98	50	36	18	18	12
	C/D	165	126	80	72	63	30	16	12	12	9
07- [] [] [] [] -6008/0030	A/B	286	198	160	144	112	60	40	24	24	18
	C/D	308	234	168	152	112	60	36	21	21	21
07- [] [] [] [] -8000/0130	A/B	308	234	160	144	112	60	40	24	24	18
	C/D	418	306	216	200	154	90	52	33	33	27

Technical data subject to change without notice.



- For harsh and hazardous areas
- Wide range
- Different colours on demand

Aluminium enclosures have proven to be an excellent solution for encapsulating and shielding components and modules in electronic and pneumatic engineering. The base and lid of the enclosure come with earthing screws for the connection of the protective conductor. Fixing holes outside the sealed space.

Explosion protection (EN 60079-0)

Marking ATEX	⊕ II 2G Ex e IIC Gb ⊕ II 2D Ex tb IIIC Db IP 66
Certification	PTB 08 ATEX 1063 U
Marking IECEx	Ex e IIC Gb Ex tb IIIC Db IP 66PTB 09.0066x
Certification	PTB 11.0032U
Other approvals and certificates, see www.bartec.de	

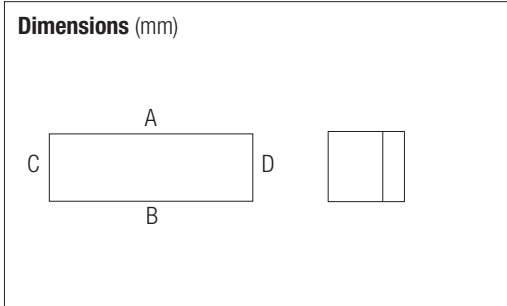
Technical data

Material	aluminium, die or shell casting, (metal mould) ALSi 12, Mg < 6 thread -%
Colour	RAL 7001, silver grey, optional unpainted special varnish and seawater-resistant varnish on request
Lid screws	stainless steel, captive, cross-head (+ -) (other models on request)
Standard seals	CR -28 °C to +95 °C optional silicone -55 °C to +100 °C
Mechanical resistance	impact energy 7 Nm (EN 60079-0)
Protection class	IP 66 EN/IEC 60529

Ordering information IP enclosure

External dimensions in mm Length (L) x Width (B) x Height (H)	Order no.
58 x 64 x 36 mm	07-5190-0580/6436
98 x 64 x 36 mm	07-5190-0980/6436
150 x 64 x 36 mm	07-5190-1500/6436
75 x 80 x 57 mm	07-5190-0750/8057
125 x 80 x 57 mm	07-5190-1250/8057
175 x 80 x 57 mm	07-5190-1750/8057
250 x 80 x 57 mm	07-5190-2500/8057
122 x 120 x 80 mm	07-5190-1221/2080
122 x 120 x 90 mm	07-5190-1221/2090
360 x 120 x 80 mm	07-5190-3601/2080
220 x 120 x 80 mm	07-5190-2201/2080
220 x 120 x 90 mm	07-5190-2201/2090
160 x 160 x 90 mm	07-5190-1601/6090
260 x 160 x 90 mm	07-5190-2601/6090
360 x 160 x 90 mm	07-5190-3601/6090
560 x 160 x 90 mm	07-5190-5601/6090
200 x 230 x 110 mm	07-5190-2002/1011
280 x 230 x 110 mm	07-5190-2802/1011
330 x 230 x 110 mm	07-5190-3302/1011
400 x 230 x 110 mm	07-5190-4002/1011
600 x 230 x 110 mm	07-5190-6002/1011
400 x 310 x 110 mm	07-5190-4003/1011
600 x 310 x 110 mm	07-5190-6003/1011
200 x 230 x 180 mm	07-5190-2002/3018
330 x 230 x 180 mm	07-5190-3302/3018
400 x 310 x 180 mm	07-5190-4003/1018
600 x 310 x 180 mm	07-5190-6003/1018

Technical data subject to change without notice.

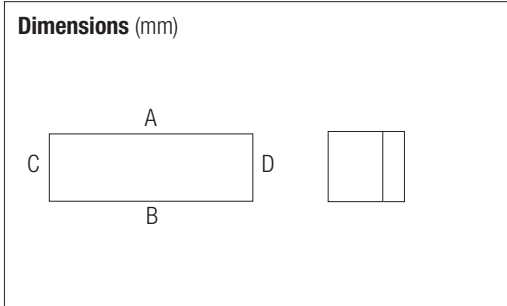


The dimensions on this page apply to the following aluminium enclosure/distribution boxes:

- IP enclosure 07-5190-.../...
- Ex enclosure 07-5180-.../...
- IP distribution box 07-5172-.../...
- Ex e distribution box 07-5101-.../...
- Ex i distribution box 07-5102-.../...

Technical data

External dimensions	58 x 64 x 36 mm	
Weight	150 g	
Material	aluminium, grey	
Article no.	07-51 <input type="checkbox"/> -0580/6436	
External dimensions	98 x 64 x 36 mm	
Weight	250 g	
Material	aluminium, grey	
Article no.	07-51 <input type="checkbox"/> -0980/6436	
External dimensions	150 x 64 x 36 mm	
Weight	320 g	
Material	aluminium, grey	
Article no.	07-51 <input type="checkbox"/> -1500/6436	
External dimensions	75 x 80 x 57 mm	
Weight	300 g	
Material	aluminium, grey	
Article no.	07-51 <input type="checkbox"/> -0750/8057	

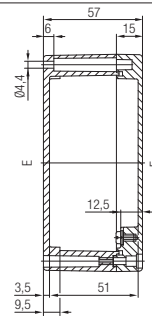
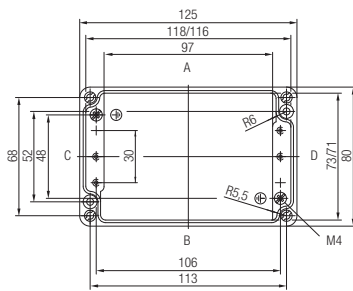


The dimensions on this page apply to the following aluminium enclosure/distribution boxes:

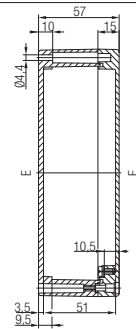
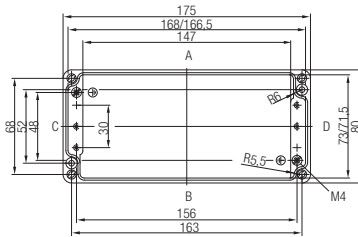
- IP enclosure 07-5190-.../...
- Ex enclosure 07-5180-.../...
- IP distribution box 07-5172-.../...
- Ex e distribution box 07-5101-.../...
- Ex i distribution box 07-5102-.../...

Technical data

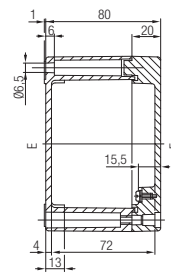
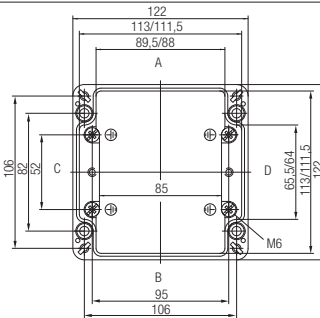
External dimensions	125 x 80 x 57 mm
Weight	440 g
Material	aluminium, grey
Article no.	07-51 <input type="checkbox"/> -1250/8057



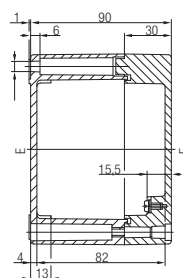
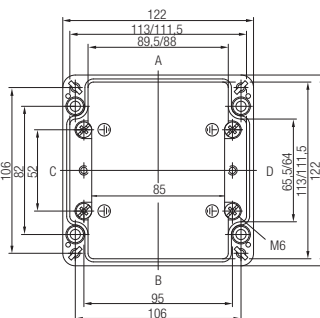
External dimensions	175 x 80 x 57 mm
Weight	510 g
Material	aluminium, grey
Article no.	07-51 <input type="checkbox"/> -1750/8057

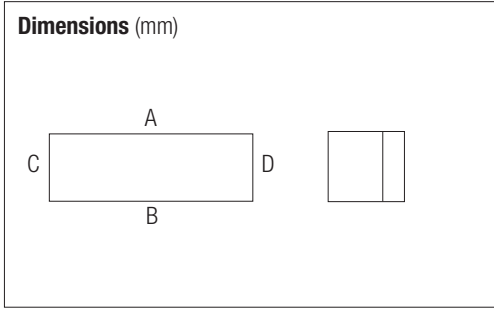


External dimensions	122 x 122 x 80 mm
Weight	940 g
Material	aluminium, grey
Article no.	07-51 <input type="checkbox"/> -1221/2080



External dimensions	122 x 122 x 90 mm
Weight	880 g
Material	aluminium, grey
Article no.	07-51 <input type="checkbox"/> -1221/2090



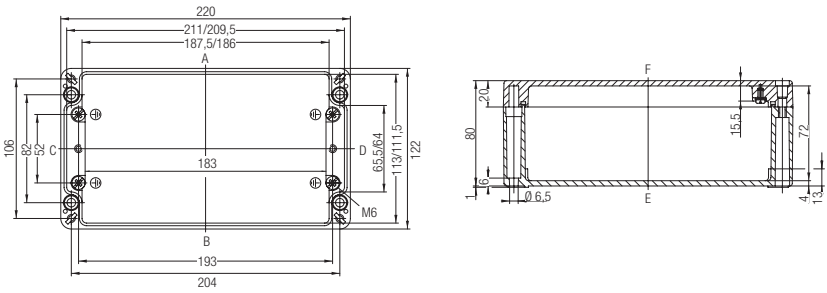


The dimensions on this page apply to the following aluminium enclosure/distribution boxes:

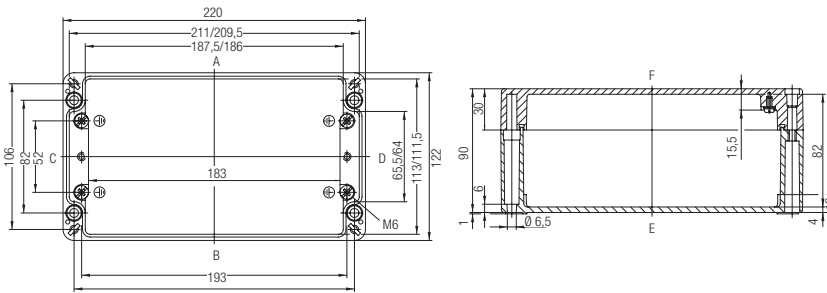
- IP enclosure 07-5190-.../...
- Ex enclosure 07-5180-.../...
- IP distribution box 07-5172-.../...
- Ex e distribution box 07-5101-.../...
- Ex i distribution box 07-5102-.../...

Technical data

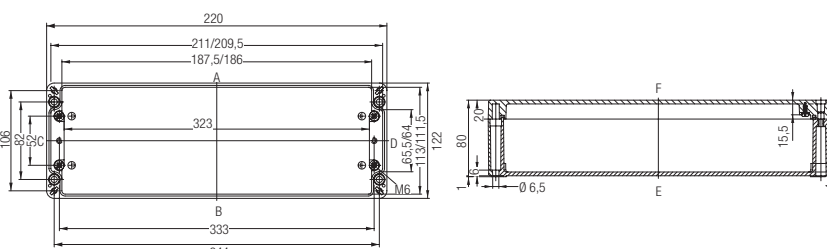
External dimensions	220 x 120 x 80 mm
Weight	1390 g
Material	aluminium, grey
Article no.	07-51 <input type="checkbox"/> <input type="checkbox"/> -2201/2080



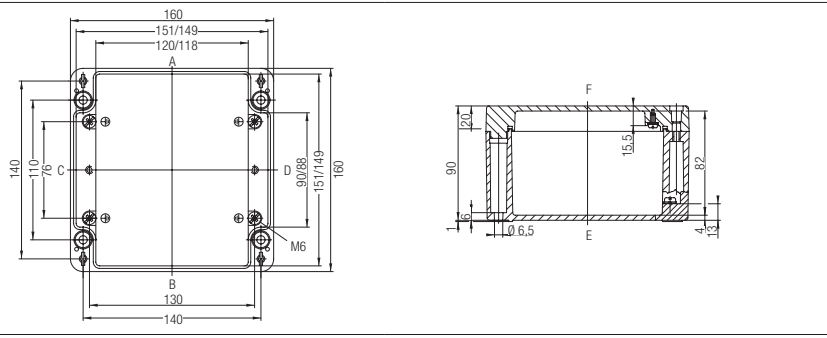
External dimensions	220 x 120 x 90 mm
Weight	1350 g
Material	aluminium, grey
Article no.	07-51 <input type="checkbox"/> <input type="checkbox"/> -2201/2090



External dimensions	360 x 120 x 80 mm
Weight	1950 g
Material	aluminium, grey
Article no.	07-51 <input type="checkbox"/> <input type="checkbox"/> -3601/2080

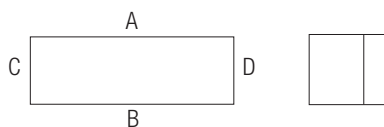


External dimensions	160 x 160 x 90 mm
Weight	1470 g
Material	aluminium, grey
Article no.	07-51 <input type="checkbox"/> <input type="checkbox"/> -1601/6090



4

Dimensions (mm)

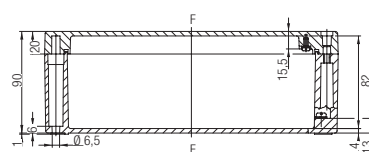
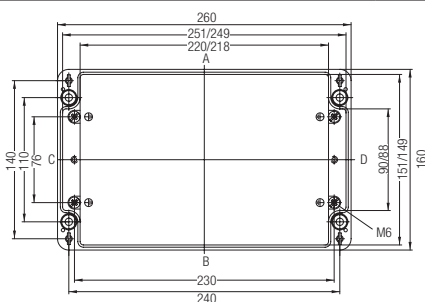


The dimensions on this page apply to the following aluminium enclosure/distribution boxes:

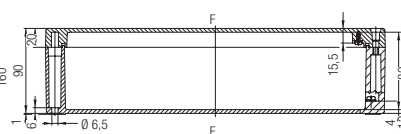
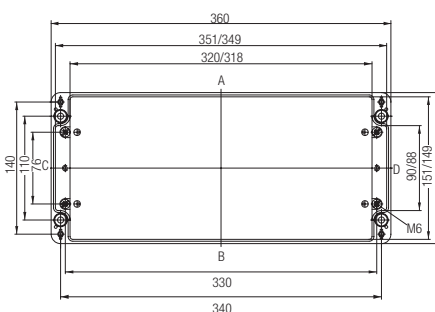
- IP enclosure 07-5190-.../...
- Ex enclosure 07-5180-.../...
- IP distribution box 07-5172-.../...
- Ex e distribution box 07-5101-.../...
- Ex i distribution box 07-5102-.../...

Technical data

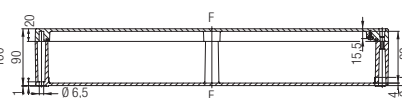
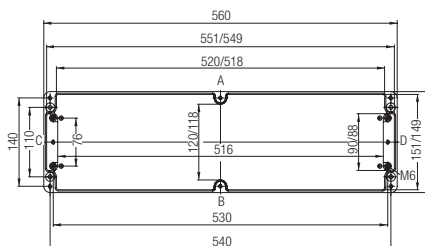
External dimensions	260 x 160 x 90 mm
Weight	2100 g
Material	aluminium, grey
Article no.	07-51 □□ -2601/6090



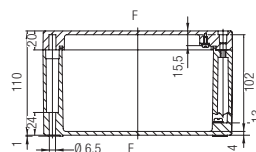
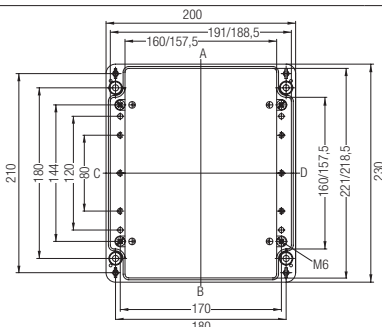
External dimensions	360 x 160 x 90 mm
Weight	2700 g
Material	aluminium, grey
Article no.	07-51 □□ -3601/6090



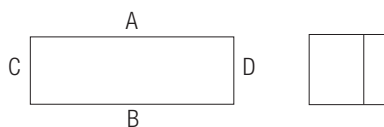
External dimensions	560 x 160 x 90 mm
Weight	3600 g
Material	aluminium, grey
Article no.	07-51 □□ -5601/6090



External dimensions	200 x 230 x 110 mm
Weight	2450 g
Material	aluminium, grey
Article no.	07-51 □□ -2002/1011



Dimensions (mm)

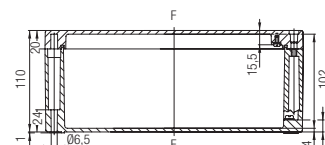
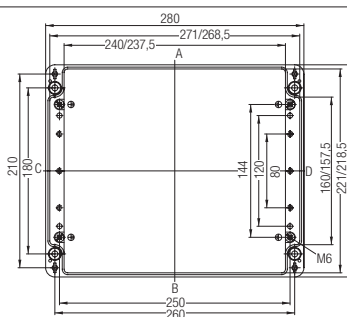


The dimensions on this page apply to the following aluminium enclosure/distribution boxes:

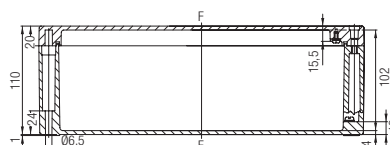
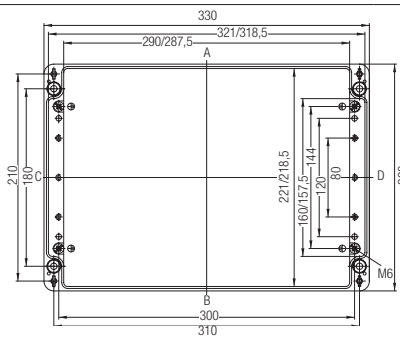
- IP enclosure 07-5190-.../...
- Ex enclosure 07-5180-.../...
- IP distribution box 07-5172-.../...
- Ex e distribution box 07-5101-.../...
- Ex i distribution box 07-5102-.../...

Technical data

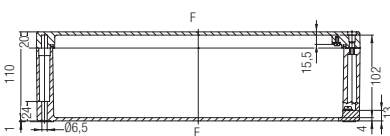
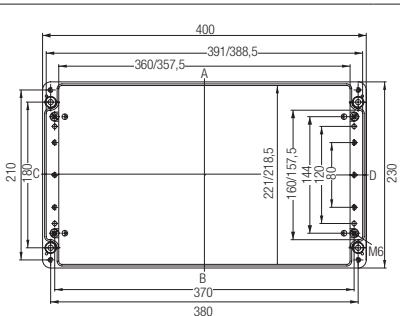
External dimensions	280 x 230 x 110 mm
Weight	2990 g
Material	aluminium, grey
Article no.	07-51 □□ -2802/1011



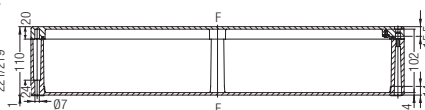
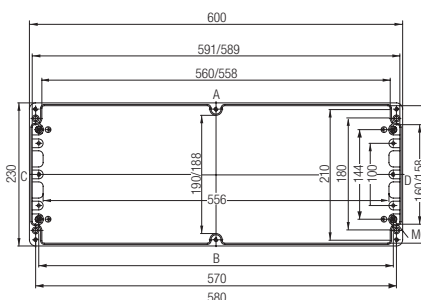
External dimensions	330 x 230 x 110 mm
Weight	3400 g
Material	aluminium, grey
Article no.	07-51 □□ -3302/1011



External dimensions	400 x 230 x 110 mm
Weight	4600 g
Material	aluminium, grey
Article no.	07-51 □□ -4002/1011

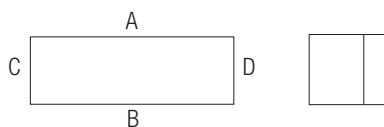


External dimensions	600 x 230 x 110 mm
Weight	6800 g
Material	aluminium, grey
Article no.	07-51 □□ -6002/1011



4

Dimensions (mm)

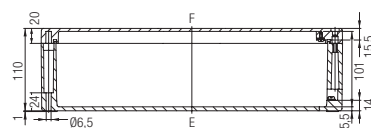
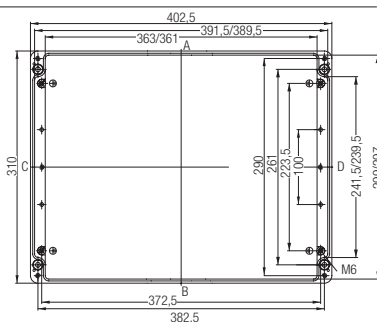


The dimensions on this page apply to the following aluminium enclosure/distribution boxes:

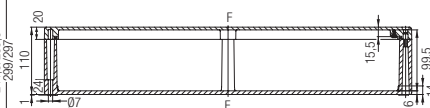
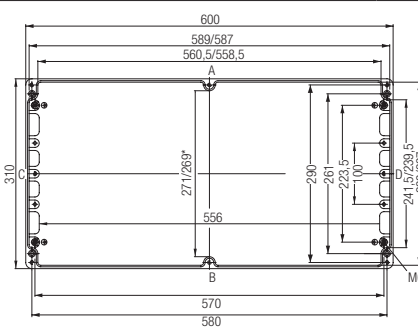
- IP enclosure 07-5190-.../...
- Ex enclosure 07-5180-.../...
- IP distribution box 07-5172-.../...
- Ex e distribution box 07-5101-.../...
- Ex i distribution box 07-5102-.../...

Technical data

External dimensions	400 x 310 x 110 mm
Weight	6600 g
Material	aluminium, grey
Article no.	07-51 <input type="checkbox"/> <input type="checkbox"/> -4003/1011



External dimensions	600 x 310 x 110 mm
Weight	9400 g
Material	aluminium, grey
Article no.	07-51 <input type="checkbox"/> <input type="checkbox"/> -6003/1011



Aluminium enclosure for NPT thread on request (insulation thickness). All dimensions are approximate measurements and subject to terminal changes.

Technical data subject to change without notice.



- For harsh and hazardous areas
- Flexible
- Engineered to order

Aluminium distribution boxes have proven to be an excellent solution for encapsulating and shielding components and modules in electronic and pneumatic engineering. Bottom and lid of the distribution boxes come with earthing screws for the connecting of the protective conductor. Mounting threads in the bottom section, fixing holes outside of the sealed space. The same high quality explosion-proofed enclosures are used in hazardous areas by inflammable dust (Zone 21 and 22). By means of the heating calculation according to the supplement to the test certificate and a separate IP-protection test, the basic requirements of the "protection through enclosure" type of protection are met.

IP distribution box	grey	07-5172-.../....
Ex e distribution box	grey	07-5101-.../....
Ex i distribution box	grey	07-5102-.../....

Explosion protection

Marking ATEX	Ⓢ II 2G Ex e ia/ib IIA, IIB, IIC T6 oder T5 Gb Ⓢ II 2D Ex tb IIIC T80 °C, T95 °C Db IP 66
Certification for Zone 1 and Zone 2	PTB 11 ATEX 1016X
Marking IECEx	Ex e ia/ib IIA, IIB, IIC T6 oder T5 Gb Ex tb IIIC T80 °C, T95 °C Db IP 66
Certification for Zone 21 and Zone 22	PTB 11.0033X
Other approvals and certificates, see www.bartec.de	
Ambient temperature	-20 °C to +40 °C for T6
(specific designs available on request)	-55 °C to +55 °C for T5 optionally up to +65 °C (T5)

Technical data

Material	aluminium, die or shell casting, AISI 12, Mg < 6 thread -%
Colour/coating	RAL 7001, silver grey, optionally unpainted special varnish and seawater-resistant varnish on request
Lid screws (other models on request)	stainless steel, captive, cross-head (+ -)
Standard seals	CR -28 °C to +95 °C optional silicone -55 °C to +100 °C
Mechanical resistance	impact energy 7 Nm (EN/IEC 60079-0)
Protection class	IP 66 EN/IEC 60529
Rated voltage	max. 1 100 V

Installation instructions

The installer must make sure that the enclosure used is suitable for the corresponding field of application. This means that the marking must correspond to the classification of the Ex area. Also must the temperature class of the distribution box meet the respective requirements.

Aluminium distribution boxes for Zone 1/21 and Zone 2/22

The table on this page applies to the following aluminium distribution boxes:

IIP distribution box 07-5172-.../.... Ex e distribution box 07-5101-.../.... Ex i distribution box 07-5102-.../....

Rail-mounted terminals/maximum number

Aluminium enclosure Article no.	Mini-terminal 07-7902-....		AKZ4 03-7112-0008		WDU 2,5 03-7111-0012		WDU 2,5 bl 03-7111-0012		WDU 4 03-7112-0015	
	mounting- rail	Terminals per rail	mounting- rail	Terminals per rail	mounting- rail	Terminals per rail	mounting- rail	Terminals per rail	mounting- rail	Terminals per rail
07- [] [] [] [] -0580/6436	-	3	-	-	-	-	-	-	-	-
07- [] [] [] [] -0980/6436	-	7	-	-	-	-	-	-	-	-
07- [] [] [] [] -1500/6436	-	11	-	-	-	-	-	-	-	-
07- [] [] [] [] -0750/8057	1	5	1	7	-	-	-	-	-	-
07- [] [] [] [] -1250/8057	1	10	1	16	-	-	-	-	-	-
07- [] [] [] [] -1750/8057	1	14	1	22	-	-	-	-	-	-
07- [] [] [] [] -1221/2080	2	8	1	14	1	16	1	16	1	14
07- [] [] [] [] -1221/2090	2	8	1	14	1	16	1	16	1	14
07- [] [] [] [] -2201/2080	2	17	1	30	1	35	1	35	1	30
07- [] [] [] [] -2201/2090	2	17	1	30	1	35	1	35	1	30
07- [] [] [] [] -3601/2080	-	-	-	-	1	60	1	60	1	49
07- [] [] [] [] -1601/6090	-	-	2	18	1	24	1	23	1	20
07- [] [] [] [] -2601/6090	-	-	2	34	1	43	1	42	1	34
07- [] [] [] [] -3601/6090	-	-	-	-	1	60	1	62	1	50
07- [] [] [] [] -5601/6090	-	-	-	-	1	98	1	102	1	85
07- [] [] [] [] -2002/1011	-	-	3	25	2	30	2	30	2	25
07- [] [] [] [] -2802/1011	-	-	-	-	2	44	2	44	2	38
07- [] [] [] [] -3302/1011	-	-	-	-	2	56	2	53	2	46
07- [] [] [] [] -4002/1011	-	-	-	-	2	70	2	68	2	58
07- [] [] [] [] -6002/1011	-	-	-	-	2	108	2	109	1	90
07- [] [] [] [] -4003/1011	-	-	-	-	3	70	3	68	2	58
07- [] [] [] [] -6003/1011	-	-	-	-	2	110	2	110	2	91

Technical data subject to change without notice.



The table on this page applies to the following aluminium distribution boxes:
 IIP distribution box 07-5172-.../.... Ex e distribution box 07-5101-.../.... Ex i distribution box 07-5102-.../....

Ordering information

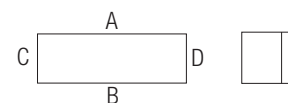
Aluminium enclosure Article no.	External dimensions in mm			Earth bars/Mantle terminal				Mounting panel
	Length	Width	Height	Type	Order no.	Type	Order no.	Order no.
07-□□□□-0580/6436	58	64	36	SB 2	05-0012-0002	-	-	05-2105-0094
07-□□□□-0980/6436	98	64	36	SB 2	05-0012-0002	-	-	05-2105-0095
07-□□□□-1500/6436	150	64	36	SB 2	05-0012-0002	-	-	05-2105-0096
07-□□□□-0750/8057	75	80	57	SB 2	05-0012-0002	-	-	05-2105-0097
07-□□□□-1250/8057	125	80	57	SB 2	05-0012-0002	-	-	05-0105-0098
07-□□□□-1750/8057	175	80	57	SB 2	05-0012-0002	LS 4	-	05-0105-0099
07-□□□□-1221/2080	122	120	80	QS 3	05-0012-0002	LS 4	05-0012-0100	05-0105-0100
07-□□□□-1221/2090	122	120	90	QS 3	05-0012-0002	LS 9	05-0012-0100	05-0105-0100
07-□□□□-2201/2080	220	120	80	QS 3	05-0012-0091	LS 5	05-0012-0101	05-0105-0101
07-□□□□-2201/2090	220	120	90	QS 3	05-0012-0091	LS 5	05-0012-0101	05-0105-0101
07-□□□□-3601/2080	360	120	80	QS 3	05-0012-0091	LS 11	05-0012-0103	05-0105-0102
07-□□□□-1601/6090	160	160	90	QS 5	05-0012-0092	LS 16	05-0012-0010	05-0105-0103
07-□□□□-2601/6090	260	160	90	QS 5	05-0012-0092	LS 11	05-0012-0012	05-0105-0106
07-□□□□-3601/6090	360	160	90	QS 5	05-0012-0092	LS 11	05-0012-0014	05-0105-0105
07-□□□□-5601/6090	560	160	90	QS 5	05-0012-0092	LS 18	05-0012-0107	05-0105-0107
07-□□□□-2002/1011 07-□□□□-3302/3018	200	230	110	QS 7	05-0012-0098	LS 18	05-0012-0108	05-0105-0108
07-□□□□-2802/1011	280	230	110	QS 7	05-0012-0098	LS 18	05-0012-0109	05-0105-0109
07-□□□□-3302/1011 07-□□□□-3302/3018	330	230	110	QS 7	05-0012-0098	LS 18	05-0012-0110	05-0105-0110
07-□□□□-4002/1011	400	230	110	QS 7	05-0012-0098	LS 28	05-0012-0016	05-0105-0111
07-□□□□-6002/1011	600	230	110	QS 7	05-0012-0098	LS 28	05-0012-0111	05-0105-0112
07-□□□□-4003/1011 07-□□□□-4002/1018	400	310	110	QS 13	05-0012-0099	LS 28	05-0012-0016	05-0105-0115
07-□□□□-6003/1011 07-□□□□-6003/1018	600	310	110	QS 13	05-0012-0099	LS 28	05-0012-0111	05-0105-0116

QS = diagonal strip/horizontal alignment, e.g.: LS 4 = 4 clamping points for 8 connections
 LS = horizontal strip/vertical strip, e.g.: QS 3 = 3 clamping points for 6.

Technical data subject to change without notice.



The table on this page applies to the following aluminium distribution boxes:
 IIP distribution box 07-5172-.../.... Ex e distribution box 07-5101-.../.... Ex i distribution box 07-5102-.../....



Aluminum distribution box with lid Cable glands/maximum number

Aluminium enclosure Article no.	Side	M12 x 1.5	M16x 1.5	M16 x 1.5 extended	M20 x 1.5	M20 x 1.5 extended	M25 x 1.5	M32 x 1.5	M40 x 1.5	M50 x 1.5	M63 x 1.5
07-□□□□-0580/6436	A/B C/D	1 -	1 -	1 -	- -	- -	- -	- -	- -	- -	- -
07-□□□□-0980/6436	A/B C/D	3 1	3 1	3 1	- -	- -	- -	- -	- -	- -	- -
07-□□□□-1500/6436	A/B C/D	6 1	5 1	4 1	- -	- -	- -	- -	- -	- -	- -
07-□□□□-0750/8057	A/B C/D	5 2	3 2	2 2	2 1	1 -	1 -	- -	- -	- -	- -
07-□□□□-1250/8057	A/B C/D	9 2	6 2	4 2	3 1	3 1	2 -	- -	- -	- -	- -
07-□□□□-1750/8057	A/B C/D	14 2	9 2	6 2	5 1	4 1	3 -	- -	- -	- -	- -
07-□□□□-1221/2080	A/B C/D	12 4	10 4	6 3	6 2	5 2	3 1	2 1	1 -	1 -	1 -
07-□□□□-1221/2090	A/B C/D	12 4	9 4	6 2	5 2	4 2	2 -	1 -	1 -	1 -	1 -
07-□□□□-2201/2080	A/B C/D	27 4	17 4	12 3	11 2	10 2	5 1	3 1	3 -	2 -	2 -
07-□□□□-2201/2090	A/B C/D	27 4	17 4	12 2	11 2	10 2	5 -	3 -	3 -	2 -	1 -
07-□□□□-3601/2080	A/B C/D	48 4	30 4	22 4	21 2	18 2	9 1	6 1	5 -	- -	- -
07-□□□□-1601/6090	A/B C/D	18 8	14 8	8 5	8 4	6 4	4 2	2 -	1 -	1 -	1 -
07-□□□□-2601/6090	A/B C/D	33 8	26 8	17 5	14 4	12 4	7 2	4 -	3 -	3 -	2 -
07-□□□□-3601/6090	A/B C/D	48 8	38 8	24 5	20 4	18 4	10 2	6 -	5 -	4 -	3 -
07-□□□□-5601/6090	A/B C/D	84 8	60 8	42 5	34 4	28 4	20 2	10 -	8 -	6 -	4 -
07-□□□□-2002/1011	A/B C/D	38 20	24 15	16 10	15 10	12 6	8 4	5 3	3 2	2 2	2 1
07-□□□□-2002/3018	A/B C/D	64 56	36 42	25 25	25 25	16 16	16 16	9 9	4 4	4 4	4 4
07-□□□□-2802/1011	A/B C/D	58 20	30 15	25 10	23 10	20 6	11 4	8 3	4 2	3 2	2 -
07-□□□□-3302/1011	A/B C/D	70 20	46 15	30 10	28 10	24 6	14 4	10 3	5 2	4 2	2 1
07-□□□□-3302/3018	A/B C/D	120 56	72 36	50 25	45 25	32 16	28 12	18 9	8 4	8 4	6 4
07-□□□□-4002/1011	A/B C/D	58 20	56 15	38 10	35 10	30 6	17 4	12 3	6 2	4 2	3 1
07-□□□□-6002/1011	A/B C/D	126 25	84 15	56 10	52 10	46 6	24 4	18 3	8 2	6 2	4 1
07-□□□□-4003/1011	A/B C/D	85 30	56 25	38 20	35 18	30 10	17 5	12 4	6 2	4 2	3 1
07-□□□□-4003/1018	A/B C/D	144 84	90 60	65 45	60 40	44 28	36 24	21 15	12 8	10 6	8 6
07-□□□□-6003/1011	A/B C/D	126 30	84 25	56 20	52 18	46 10	24 5	18 4	8 2	6 2	4 1
07-□□□□-6003/1018	A/B C/D	208 84	132 60	90 45	90 40	80 28	56 18	30 15	16 8	16 6	12 6

Each enclosure side wall has only a limited number of gland entries to ensure the mechanical stability of the enclosure.

Technical data subject to change without notice.



- Zones 1/21 und 2/22
- Extremely robust
- Fully bolted or hinged

BARTEC stainless steel housings and distribution boxes are designed and approved for Zone 1 and 2 as well as Zone 21 and 22. They are particularly suitable for applications under extreme environmental conditions, and they provide reliable protection under heavy loads. The housings are made from 1.4301 (V2 A) or 1.4404 stainless steel (V4 A). The series includes empty housings and distribution boxes with door or cover. From a housing height of 120 mm, the housings can be supplied with or without flange plates. In addition to 25 standard sizes, approved customer-specific design variants are also available.

Explosion protection

Marking acc. to EN 60079-0 for empty enclosures/cabinets

- ⊕ II 2G Ex e IIC Gb
- ⊕ II 2D Ex tb IIIC Gb

for distribution boxes

- ⊕ II 2G Ex e IIC T6, T5 Gb
- ⊕ II 2G Ex e ia/ib IIC T6, T5 Gb
- ⊕ II 2D Ex tb IIIC T80 °C, T95 °C Db

Certification Empty enclosure

IBExU99ATEX1118 U
IECEXiBE09.0016 U

Terminal box

IBExU99ATEX1096
IECEXiBE09.0017

Other approvals and certificates, see www.bartec.de

Marking EPDM gasket

- 20 °C to + 40 °C at T6
- 20 °C to + 55 °C at T5

Silicone gasket (only ST/ST)

- 55 °C to + 40 °C at T6
- 55 °C to + 55 °C at T5

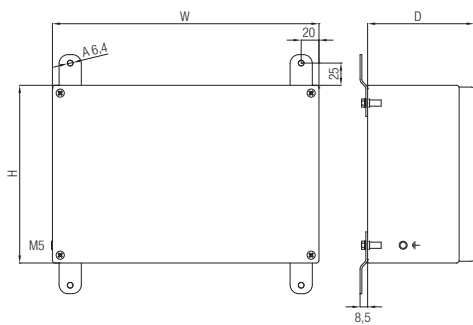
Technical data

Material	1.4404, AISI 316 L high quality stainless steel optional 1.4301, AISI 304 high quality stainless steel
Surface	brushed, painted or electro polished on request
Standard seals	EPDM
Mechanical strength	Impact energy 7 Nm
Version	with or without gland plates
Standard sizes	see selection chart
Protection class	max. IP 66 EN/IEC 60529

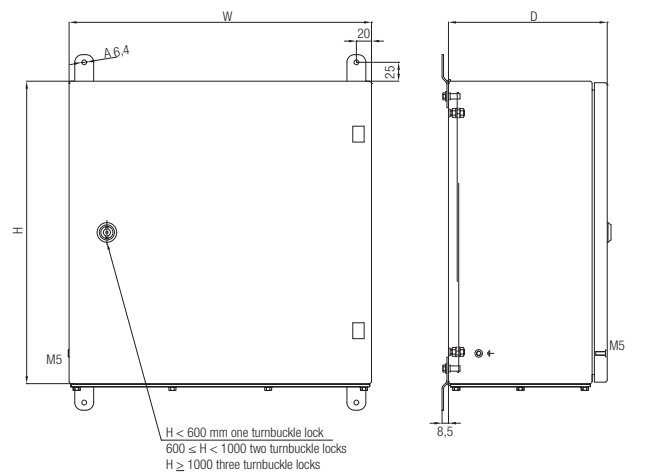
Scope of delivery

The scope of delivery includes wall attachment straps, internal and external PE connection, as well as a mounting plate for the empty housings/distribution cabinets.

Enclosure dimensions



Cabinet dimensions





Ordering information

Version	Code no.	Enclosure with lid (w x h x d)	Code no.	Enclosure with hinged door (w x h x d)	Code no.	Flanges Side A, B, (E)	Code no.	Flanges Side C, D, (E)	Code no.
Empty Enclosure Ex e	1	100 x 100 x 60 mm	17	200 x 300 x 155 mm	51	without	1	without	1
		150 x 150 x 80 mm	01						
Distribution Box Ex e II	2	400 x 150 x 80 mm	10	380 x 300 x 155 mm	54	Face A	2	Face C	2
		200 x 200 x 80 mm	03	300 x 380 x 210 mm	52				
		300 x 200 x 80 mm	22			Face B	3	Face D	3
Distribution Box Ex e [ia/ib] II C	3	150 x 150 x 100 mm	02	400 x 400 x 210 mm	57	Face A + B	4		
		200 x 200 x 120 mm	04						
Distribution Box Ex i II	4	300 x 200 x 120 mm	06	400 x 600 x 210 mm	58	Face E + A	5	Face E + C	5
		400 x 200 x 120 mm	11						
Distribution Box Ex i II	5	600 x 200 x 120 mm	25	600 x 760 x 210 mm	60	Face E + B	6	Face E + D	6
		300 x 300 x 120 mm	07						
Distribution Box Ex i II	6	300 x 300 x 160 mm	08	600 x 800 x 300 mm	61	Face E + A + B	7	Face E + D + C	7
		380 x 380 x 160 mm	26						
		400 x 200 x 160 mm	12	800 x 800 x 300 mm	62				
Distribution Box Non-Ex	7	400 x 400 x 160 mm	14	800 x 1000 x 300 mm	63	Face E	8		
		500 x 400 x 160 mm	15						

or

Complete order no.

07-56 -

Please enter code number.

Example: Ex e distribution box with hinged door

Dimensions: 400 x 400 x 210 mm with gland plates on face B + C + D

Type 07-56D2-5734

Technical data subject to change without notice.

Design	Code no.	
	304	316 L
Enclosure with screwed lid	A	B
Enclosure with hinged door	C	D



The table on this page applies to the following high-quality stainless steel junction boxes:

Ex e-Enclosure, empty 07-56.1-.... Ex e/Ex i-Junction Box 07-56.3-.... IP Junction Box 07-56.7-....
 Ex e-Junction Box 07-56.2-.... Ex i-Junction Box 07-56.4-....

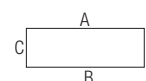
High-quality stainless steel junction boxes Rail-mounted terminal components/maximum number

High-quality stainless steel junction boxes without flanges Article no.	External dimensions in mm (L x W x H) Lid	AKZ4 03-7112-0008		WDU 2.5 03-7111-0012		WDU 4 03-7112-0015	
		Mounting rail	Mounting rail	Mounting rail	Mounting rail	Mounting rail	Mounting rail
07-56 □□ -1711	100 x 100 x 60	1	7	-	-	-	-
07-56 □□ -0111	150 x 150 x 80	2	13	1	16	1	13
07-56 □□ -1011	400 x 150 x 80	2	54	1	65	1	54
07-56 □□ -0311	200 x 200 x 80	2	21	1	25	1	21
07-56 □□ -2211	300 x 200 x 80	2	37	1	45	1	38
07-56 □□ -0211	150 x 150 x 100	2	13	1	16	1	13
07-56 □□ -0411	200 x 200 x 120	-	-	1	25	1	21
07-56 □□ -0611	300 x 200 x 120	-	-	1	45	1	38
07-56 □□ -1111	400 x 200 x 120	-	-	1	65	1	54
07-56 □□ -2511	600 x 200 x 120	-	-	1	104	1	87
07-56 □□ -0711	300 x 300 x 120	-	-	2	45	2	38
07-56 □□ -0811	300 x 300 x 160	-	-	2	45	2	38
07-56 □□ -2611	380 x 380 x 160	-	-	3	61	3	51
07-56 □□ -1211	400 x 200 x 160	-	-	1	65	1	54
07-56 □□ -1411	400 x 400 x 160	-	-	4	65	4	54
07-56 □□ -1511	500 x 400 x 160	-	-	4	84	4	70
Hinged door							
07-56 □□ -5111	200 x 300 x 155	-	-	2	21	2	18
07-56 □□ -5411	380 x 300 x 155	-	-	2	60	2	50
07-56 □□ -5211	300 x 380 x 210	-	-	3	45	3	37
07-56 □□ -5711	400 x 400 x 210	-	-	3	64	3	54
07-56 □□ -5811	400 x 600 x 210	-	-	5	64	5	54
07-56 □□ -5911	600 x 600 x 210	-	-	5	103	5	86
07-56 □□ -6011	600 x 760 x 210	-	-	6	103	6	86
07-56 □□ -6111	600 x 800 x 300	-	-	7	103	7	86
07-56 □□ -6211	800 x 800 x 300	-	-	7	142	7	118
07-56 □□ -6311	800 x 1000 x 300	-	-	9	142	9	118

Technical data subject to change without notice.



The table on this page applies to the following high-quality stainless steel junction boxes: Ex e-Enclosure, empty 07-56.1-....; Ex e/Ex i-Junction Box 07-56.3-....; IP Junction Box 07-56.7-....; Ex e-Junction Box 07-56.2-....; Ex i-Junction Box 07-56.4-....



High-quality stainless steel junction boxes without flanges Rail-mounted terminal components/maximum number

Article no.	External dimensions in mm (L x W x H)	Side	M12 x 1.5	M16 x 1.5	M20 x 1.5	M25 x 1.5	M32 x 1.5	M40 x 1.5	M50 x 1.5	M63 x 1.5
			Lid							
07-56 □□ -1711	100 x 100 x 60	A/B	3	2	1	1	-	-	-	-
		C/D	3	2	1	-	-	-	-	-
07-56 □□ -0111	150 x 150 x 80	A/B	14	5	4	2	1	-	-	-
		C/D	16	7	5	2	2	-	-	-
07-56 □□ -1011	400 x 150 x 80	A/B	45	24	18	7	6	-	-	-
		C/D	14	7	6	2	2	-	-	-
07-56 □□ -0311	200 x 200 x 80	A/B	20	10	6	3	2	-	-	-
		C/D	23	11	8	3	2	-	-	-
07-56 □□ -2211	300 x 200 x 80	A/B	31	17	12	6	4	-	-	-
		C/D	22	11	7	4	2	-	-	-
07-56 □□ -0211	150 x 150 x 100	A/B	18	11	7	3	2	1	1	1
		C/D	21	12	7	3	2	1	1	1
07-56 □□ -0411	200 x 200 x 120	A/B	37	20	15	7	4	2	2	2
		C/D	30	20	13	7	4	2	2	2
07-56 □□ -0611	300 x 200 x 120	A/B	59	32	21	11	7	4	3	3
		C/D	35	19	13	7	5	2	2	2
07-56 □□ -1111	400 x 200 x 120	A/B	64	34	28	15	9	6	5	4
		C/D	35	20	13	7	4	2	2	2
07-56 □□ -2511	600 x 200 x 120	A/B	82	78	47	23	15	9	7	6
		C/D	30	20	13	7	5	2	2	2
07-56 □□ -0711	300 x 300 x 120	A/B	60	35	22	11	7	4	3	3
		C/D	50	29	21	11	7	4	3	3
07-56 □□ -0811	300 x 300 x 160	A/B	75	46	30	16	10	7	5	4
		C/D	68	47	31	17	9	7	5	4
07-56 □□ -2611	380 x 380 x 160	A/B	96	60	40	21	11	9	6	5
		C/D	93	59	39	23	12	9	6	5
07-56 □□ -1211	400 x 200 x 160	A/B	97	61	40	23	13	9	7	5
		C/D	40	30	17	11	6	4	3	2
07-56 □□ -1411	400 x 400 x 160	A/B	105	61	41	21	13	9	7	5
		C/D	104	63	43	21	12	9	7	5
07-56 □□ -1511	500 x 400 x 160	A/B	126	79	64	28	16	12	9	7
		C/D	104	63	43	21	12	9	7	5
Hinged door										
07-56 □□ -5111	200 x 300 x 155	A/B	48	28	18	10	6	4	3	2
		C/D	74	46	32	17	9	7	4	3
07-56 □□ -5411	380 x 300 x 155	A/B	91	51	39	21	12	9	6	5
		C/D	74	46	32	17	9	7	4	3
07-56 □□ -5211	300 x 380 x 210	A/B	104	60	40	23	17	8	6	6
		C/D	107	69	50	23	15	9	8	7
07-56 □□ -5711	400 x 400 x 210	A/B	136	84	55	31	21	10	10	8
		C/D	115	72	51	23	18	10	9	7
07-56 □□ -5811	400 x 600 x 210	A/B	144	84	55	31	21	10	10	8
		C/D	183	116	65	35	29	15	14	12
07-56 □□ -5911	600 x 600 x 210	A/B	208	120	85	42	30	16	14	13
		C/D	194	120	70	35	29	15	14	11
07-56 □□ -6011	600 x 760 x 210	A/B	170	120	80	51	30	16	14	12
		C/D	228	148	100	47	37	19	17	16
07-56 □□ -6111	600 x 800 x 300	A/B	324	189	119	72	40	28	21	19
		C/D	411	252	147	78	51	32	27	26
07-56 □□ -6211	800 x 800 x 300	A/B	452	234	147	94	52	30	29	27
		C/D	403	231	159	83	51	32	29	26
07-56 □□ -6311	800 x 1000 x 300	A/B	452	234	147	94	52	30	29	27
		C/D	554	300	194	102	67	42	35	32

Each enclosure side wall has only a limited number of gland entries to ensure the mechanical stability of the enclosure. Technical data subject to change without notice.

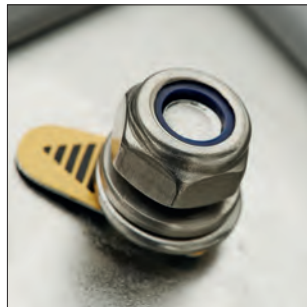


Features

- Flexible product range with many standard sizes
- Custom size or design on request
- Wide drain flange design to avoid accumulation of water or debris
- Hinged with screws from size 20 x 20 cm
- Standard IP 66 ingress protection, IP 67 and IP 68 on request
- Multiple grounding points
- Approved for intrinsically safe circuits
- Control equipment
- Self-limiting heating cable for anti-condensation protection
- May be combined as connection box for flameproof applications
- Temperature range -50 °C to + 200 °C
- ATEX, IECEx, INMETRO, CSA and TR-CU approved

Applications

The TNCN range of stainless steel 316L enclosures are designed for use in any environment where an explosive atmosphere may be present, and are especially recommended for chemical agent environments, seawater corrosion and extremes of low and high temperature.



The TNCN range comprises many standard sizes of enclosures manufactured in stainless steel 316L for maximum environmental protection. The main box is manufactured from 1.5 mm sheet. Cable entries can be made on all sides or onto optional gland plates. Multiple boxes of same or different size may be flanged together as a compact unit. If your need is for a particular size or requirement, BARTEC TECHNOR also offers tailor made sizes and solutions.

Explosion protection

Marking	Ex e IIC T6/T5/T4 / Ex [ia] IIC T6 Gb Ex tD A21 T85 °C - T110 °C Db ⊕ II 2 G/D and EPL Gb/Db
Certification ATEX	DNV-2008-OSL-ATEX-42438U DNV-2001-OSL-ATEX-0176X
IECEX	IECEX DNV 09.0005U IECEX DNV 09.0004X
INMETRO	DNV 16.0023U DNV 16.0022
CSA	CSA 2036776
EAC	TC RU C- NO-GB08-B-01133
Directives	EN/IEC 60079-0, EN/IEC 60079-7, EN/IEC 61241-0, EN/IEC 61241-1
Other approvals and certificates, see www.bartec.de	

Technical data

Material	Stainless steel 316L
Protection class	IP 66 (IP 67 and IP 68 on request)
Temperature	-50 °C to +40 °C (T5) -50 °C to +60 °C (T6/T4)
Cover gasket	Silicone (operating temperature -50 °C to +200 °C)
Surface treatment	Acid pickle
Material thickness	min. 1.5 mm
Earthing	Internal earth bar/bracket, external earth bolt
Options	Quick locks, gland plates, multi transit conduit, window, electro polished or painted surface



Calculating Terminal Box Heat Dissipation and Number of Terminals

An ignition temperature is the temperature at which a hot surface will cause an ignition to occur in a given atmosphere. Dependent on the type of gas or dust, the maximum temperature that any surface in the terminal box can reach without a spontaneous ignition is known as the 'T Class'. The maximum surface temperature must always be lower than the ignition temperature of the atmosphere in which it is used. The terminal boxes within the TNCN range has been assigned a maximum heat dissipation relating to the ambient temperature and T-Class. The TNCN range offers T6, T5 and T4 protection:

T4 = Maximum 135 °C
 (Internal wiring must have a temperature rating of at least 110 °C)

T6 = Maximum 85 °C

Theoretical values are calculated based upon typical configurations. Maximum power must not be exceeded in any given terminal box. Maximum current per terminal must be calculated using the Maximum Heat Dissipation. For some applications it may be necessary to have a variety of terminal sizes. The following tables and examples demonstrate how this is achieved. The power heat dissipation determines the maximum number of terminals permissible for any size of terminal box, based on a 100 % load. In example 2, the total load has exceeded the maximum 100 % value. Therefore, the required size and number of terminals cannot be fitted within this terminal box. If the load exceeds the maximum value simply select a larger size terminal box within the range and repeat the process until the total load value is within 100 % value.



Maximum heat dissipation

Type No.	Max. dissipated power at T _a = 40 °C
121009	6 W
151510	15 W
202012	20 W
202017	20 W
302017	30 W
282817	30 W
383817	40 W
575717	90 W

Example 1 TNCN 282817A

Terminal/conductor size (mm ²)	Current (Amps)	Number of terminals	Load = 100 % maximum
1.5	10	18 (of max. 33)	54.54 %
2.5	16	8 (of max. 33)	24.24 %
4	20	6 (of max. 33)	18.18 %
Total load			96.96 %

Example 2 TNCN 282822A

Terminal/conductor size (mm ²)	Current (Amps)	Number of terminals	Load = 100 % maximum
1.5	10	18 (of max. 33)	54.54 %
2.5	16	10 (of max. 33)	30.30 %
4	20	6 (of max. 33)	18.18 %
Total load			103.02 %

Technical data subject to change without notice.



Typical Terminal Load Configuration

Note: In the shaded area you can add as many terminals as physically possible, provided the maximum load of 100 % is not exceeded. For loads on terminals below 4 A, the quantity will be limited by the available space inside the box. There is no restriction in the numbers of terminals. The temperature class will then be T6 (85 °C). Care must be taken to ensure that the size of the chosen enclosure can accommodate the cable bending radius.

Terminal sizes (mm²)

1210XX	1.5	2.5	4	6
Current (A)	10	15		
	16	6	10	
	20		6	10
	25			6

1515XX	1.5	2.5	4	6	10
Current (A)	10	37			
	16	16	25		
	20		16	25	
	25			16	25
	31				18
	35				
	43				21
					15

2828XX	1.5	2.5	4	6	10	16	35
Current (A)	10	33					
	16	13	33				
	20		21	33			
	25			21	33		
	31				30		
	35					27	
	43					17	
	52						17
	65						11
	96						11

3020XX	1.5	2.5	4	6	10	16	35
Current (A)	10	25					
	16	10	16				
	20		10	17			
	25			11	16		
	31				11		
	35					15	
	43					9	
	52						10
	65						6
	96						6

3838XX	1.5	2.5	4	6	10	16	35
Current (A)	10	33					
	16	13	22				
	20		14	23			
	25			14	22		
	31				14		
	35					20	
	43					12	
	52						13
	65						8
	96						8

3845XX	1.5	2.5	4	6	10	16	35
Current (A)	10	41					
	16	16	27				
	20		17	29			
	25			18	27		
	31				18		
	35					25	
	43					16	
	52						16
	65						10
	96						10

3857xx	1.5	2.5	4	6	10	16	35
Current (A)	10	54					
	16	21	36				
	20		23	38			
	25			24	36		
	31				24		
	35					32	
	43					20	
	52						21
	65						13
	96						13



Terminal sizes (mm²)

7695XX	1.5	2.5	4	6	10	16	35	50	95	150
Current (A)	10	153								
	16	60	62							
	20		40	64						
	25			40	60					
	31				40					
	35					54				
	43					35				
	52						37			
	65						24			
	96							23		
	120						15	18		
	135							14	25	
	210								10	12

95114XX	1.5	2.5	4	6	10	16	35	50	95	150
Current (A)	10	184								
	16	72	75							
	20		48	77						
	25			48	72					
	31				48					
	35					64				
	43					42				
	52						45			
	65						28			
	96							28		
	120						18	21		
	135							17	30	
	210								12	15

5757XX	1.5	2.5	4	6	10	16	35	50	95	150
Current (A)	10	75								
	16	30	50							
	20		32	52						
	25			33	50					
	31				33					
	35					45				
	43					29				
	52						30			
	65						19			
	96							19		
	120						12	12		
	135							10	16	
	210								6	7

95152XX	1.5	2.5	4	6	10	16	35	50	95	150	185
Current (A)	10	96									
	16	36	61								
	20		40	63							
	25			40	61						
	31				40						
	35					54					
	43					35					
	52						38				
	65						24				
	96							24			
	120						15	18			
	135							14	26		
	210								10	13	
	234									10	16
	250									9	15

5776XX	1.5	2.5	4	6	10	16	35	50	95	150
Current (A)	10	102								
	16	36	37							
	20		24	38						
	25			24	36					
	31				24					
	35					32				
	43					21				
	52						22			
	65						14			
	96							14		
	120						9	10		
	135							8	15	
	210								6	7

100200XX	1.5	2.5	4	6	10	16	35	50	95	150	185	240	300
Current (A)	10	50											
	16	32	50										
	20		32	51									
	25			32	50								
	31				32								
	35					43							
	43					28							
	52						30						
	65						19						
	96							20					
	120							12	15				
	135								12	22			
	210									9	11		
	234										10	12	15
	250										8	13	



TNCN dimension table – range of stocked boxes

Type	Width (cm)	Height (cm)	Depth (cm)	Volume (dm ³)	Weight (kg)
12100901**	12	10	9	1.1	1.2
15151001**	15	15	10	2.3	1.8
20201201A**	20	20	12	4.8	2.7
20201202A	20	20	12	4.8	2.7
20201702A	20	20	17	6.8	3.2
20401701A**	20	40	17	13.6	5.2
28281702A	28	28	17	13.3	5.2
30201702A	30	20	17	10.2	5.0
38381702A	38	38	17	24.0	7.1
38382902A	38	38	28	41.9	10.1
38451702A	38	45	17	29.0	8.7
38571702A	38	57	17	36.8	10.6
57571702A	57	57	17	55.2	15.9
57573002	57	57	30	97.5	20.5
57762002	57	76	20	86.7	22.0
76763002	76	76	30	173.3	31.2

** No hinges – screws only

Other sizes are available upon request. The boxes are delivered as standard with left hinged cover secured to the enclosure by screws. Quicklocks, screws only, or other systems can be delivered upon request.

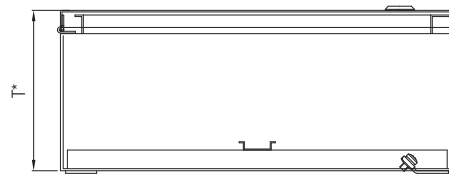
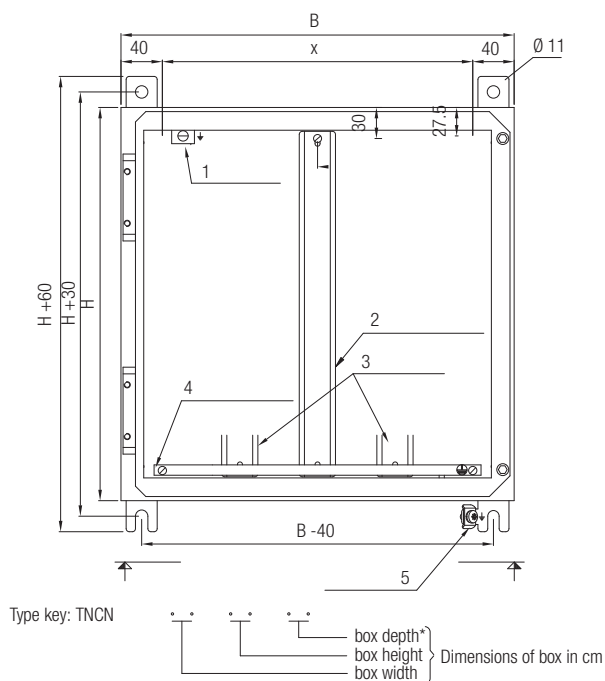
Entry matrix

Width (cm)	Depth (cm)	M20	M25
15	10	8	6
	15	12	9
	20	16	12
	27	24	15
20	12	10	10
	17	15	15
	22	25	20
	29	35	30
30	12	15	14
	17	24	21
	22	40	28
	29	56	42
38	12	20	18
	17	30	27
	22	50	36
	29	70	54
40	12	22	18
	17	3	27
	22	55	36
	29	77	54
45	12	24	20
	17	36	30
	22	60	40
	29	84	60
57	12	32	26
	17	48	39
	22	80	52
	29	128	78
76	12	42	36
	17	63	54
	22	105	72
	29	147	108

The table is a guidance for the maximum quantity of glands for installation in one face (the Width column in the table) on TNCN terminal boxes.

Note! Recommended quantity is 2/3 of guided quantity. MCT-frames can be fitted in boxes with a minimum depth of 20 cm.

Dimensions



- 1 Internal earth
 - 2 TS35 Rail (SS316)
 - 3 Position for 2 terminal rails***
 - 4 Earth bar 3 x 10 mm
 - 5 External earth
- W = Width
H = Height
D = Depth

NOTES:

x: Box width - 80 mm
 *: The actual box depth is 5 to 10 mm larger than the box depth in type key indicate, dependent on the actual boy size.
 ***: Positioning of the internal bracket must be vertical when the width of the box exceeds the height. The bracket on the connection boxes shall always be placed vertically.

Please visit www.bartec.de for additional general arrangement drawings.

Technical data subject to change without notice.



- Up to 10 kV
- GRP or SS
- Wide range of sizes

BARTEC offers explosion protected connection enclosures up to 6 kV and 10 kV with more than ten different enclosure types 07-5H9.-.../... of stainless steel and polyester. They serve for the connection of incoming and outgoing cables adjacent to electrical equipment such as motors and transformers up to 10 kV within the Ex area.

Consignment With wall fixing brackets

Accessories: mounting panel, post insulator terminals, PE connection; BARTEC tailors the enclosures to the customer's request and equips them with the desired cable glands.

Explosion protection

Marking ATEX	Ⓜ II 2G Ex e IIC T6/T5 Gb Ⓜ II 2D Ex tb IIIC T80 °C/T95 °C Db
Certification	IBEXU 13 ATEX 1001
Other approvals and certificates, see www.bartec.de	
Ambient temperature	
EPDM gasket	- 20 °C to + 40 °C at T6 - 20 °C to + 55 °C at T5
Silicone gasket (only ST/ST)	- 55 °C to + 40 °C at T6 - 55 °C to + 55 °C at T5

Technical data

Material	polyester, black, glass-fibre reinforced mounting panel of sheet steel
Protection class	IP 66 according to EN/IEC 60529
Storage temperature	- 20 °C to + 70 °C
Rated voltage	up to 6 kV and 10 kV
Rated current	max. 500 A
Rated cross-section	max. 300 mm ²

Ordering information Polyester-distribution boxes with door

Dimensions in mm			Rated voltage	Order no.
Width	Height	Depth		
400	600	200	6 kV	07-5H95-4006/0020
600	600	200	6 kV	07-5H95-6006/0020
600	800	300	6 kV/10 kV	07-5H95-6008/0030
800	1000	300	6 kV/10 kV	07-5H95-8000/0130

Ordering information

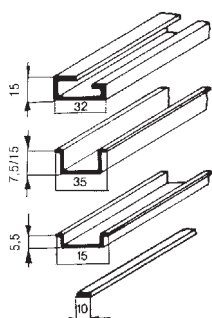
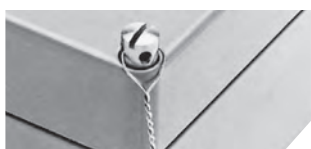
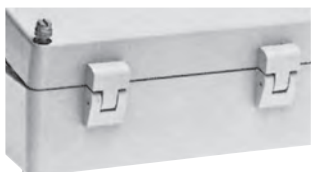
High-quality stainless steel distribution boxes with door

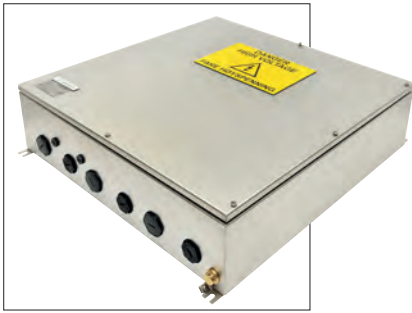
Dimensions in mm			Rated voltage	Order no.
Width	Height	Depth		
400	600	210	6 kV	07-5H92-4006/0021
600	600	210	6 kV	07-5H92-6006/0021
600	760	210	6 kV	07-5H92-6007/6021
760	760	300	6 kV/10 kV	07-5H92-7607/6030
600	800	300	6 kV/10 kV	07-5H92-6008/0030
600	800	300	6 kV/10 kV	07-5H92-8008/0030
800	1000	300	6 kV/10 kV	07-5H92-8000/0130

Technical data subject to change without notice.

Accessories

Designation	Description
Socket-head cap screws	
Hinges	Material: aluminium/plastic; opening angle: approx. 170°
Sealable steel lid screws	
Mounting panels for enclosures	galvanised steel plate laminate DIN 7735 HP 2061 for 80 x 75 to 190 x 75 mm polyester enclosures
Mounting rail TS 35	Material: bare copper, 15 high
Mounting rail TS 32	Material: galvanised steel plate, bare copper
Mounting rail TS 35	Material: galvanised steel plate, 7.5 high
Mounting rail TS 15	Material: galvanised steel plate
Mounting rail TS 10	Material: nickel-plated brass, 10 x 3 (5) mm
Lid seal	Material: silicone; temperature resistance: -55 °C to +100 °C
External fastening strips	Material: stainless steel
Earth bars LS, QS	
Wall bracket/steel structure	We supply special fixing brackets for enclosure mounting on pipes, walls and steel structures. They are made of high-quality stainless steel and can be ordered as complete mounting kit with fixing screws and, on request, bolts for the fixing onto steel structures. Ask BARTEC for more detailed information.
PB Pipe bracket	
On request, BARTEC supplies all enclosures complete with terminals, cable entries, blanking plugs and other fittings and components.	





Features

- High voltage/junction box up to 11 kV (15 kV zone 2)
- Top drive
- Motor/pump
- Subsea umbilical/downhole termination
- Topside Umbilical Termination Unit (TUTU) signal/power/hydraulics
- Umbilical fiber signal/power splitter

The BARTEC TECHNOR TNHV range of enclosures are designed to meet the harshest environments and are ideal for any rugged medium voltage application where safety and flexibility is key. With its flexible design and certification, we are able to support up to 11/15 kV in zone 1/2 and 2100 A.

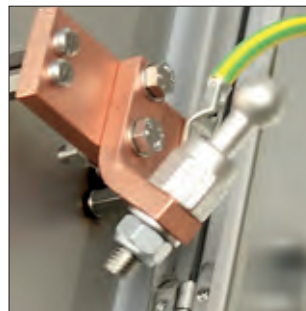
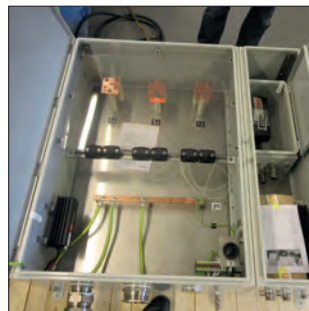
Explosion protection

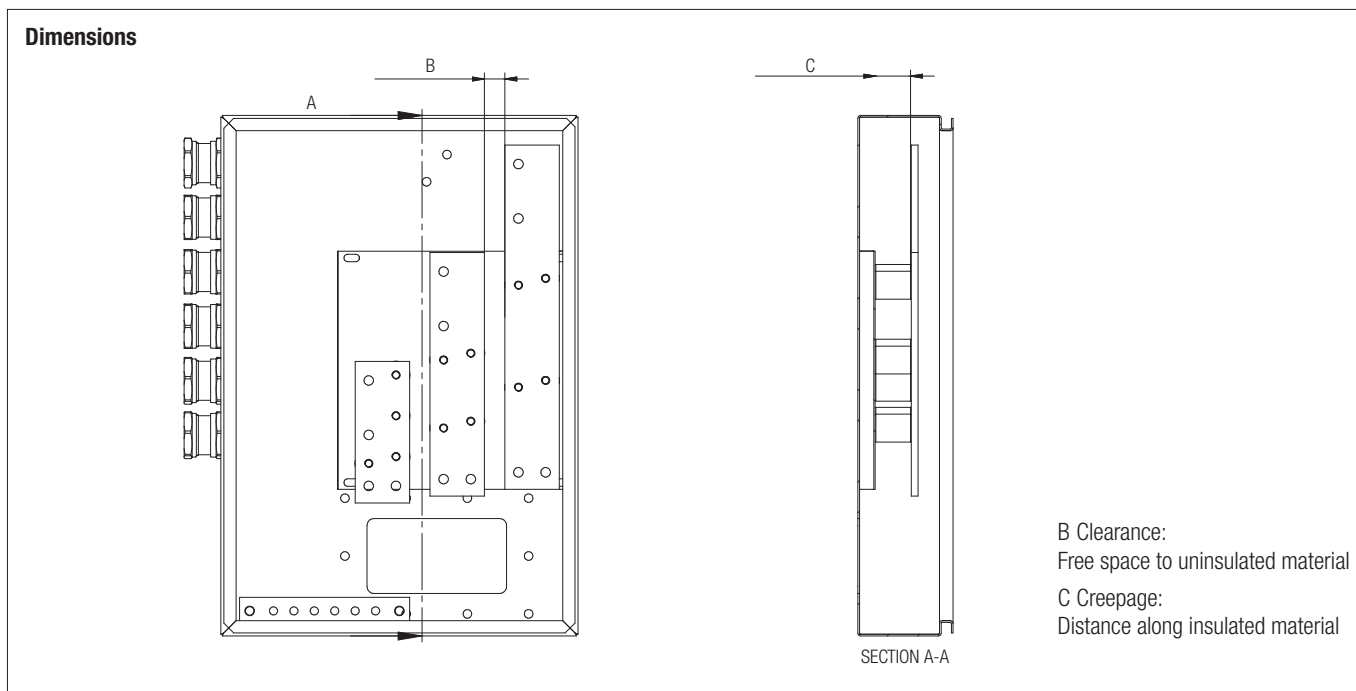
Marking	Ex e IIC T4 Gb / Ex d e IIC T3 Gb ⊕ II 2G/D and EPL Gb/Db
Certification ATEX	Presafe 14 ATEX 5228X DNV-2008-OSL-ATEX-42438
IECEX	IECEX DNV 09.005U IECEX PRE 16.0032X
EAC	TC-RU
Directives	EN 60079-0:2012/A11:2013 EN 60079-1:2007 & EN60079-7:2007

Other approvals and certificates, see www.bartec.de

Technical data

Material	Stainless steel 316L
Protection class	IP 66 (IP 67 and IP 68 on request)
Ambient temperature	-50 °C to +60 °C (T4/T3)
Cover gaskets	Silicone
Operating temperature	-50 °C to +200 °C
Surface treatment	Acidized pickling
Material thickness	min. 1.5 mm (depending on the box size)
Earthing	Internal earth bar/bracket External earth bar/bracket
Drain plug	Optional
Gland plate	Optional
Space heater	Optional





Ordering information Stocked sizes

Version	Ex e Zone	Voltage	Current (see Note 1)	Connection with	Cross section cu (mm ²)	Width (cm)	Height (cm)	Depth (cm)
TNCC577630	1 and 2	1.0 kV	1000 A	bus bars	1000	57	76	30
TNCC577630	1 and 2	1.0 kV	520 A	bolt terminals	300	57	76	30
TNHV638935	1 and 2	11 kV	1000 A	bus bars	1000	63	89	35
TNHV638935	2	15 kV	1000 A	bus bars	1000	63	89	35
TNHV577630	1 and 2	3.3 kV	1000 A	bus bars	1000	57	76	30
TNHV638935	1 and 2	6.6 kV	1000 A	bus bars	1000	63	89	35

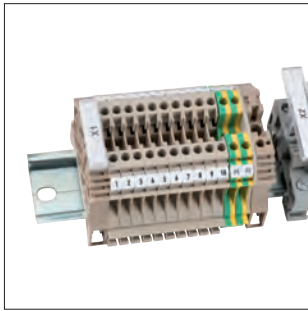
TNHV Dimensions and load table

Voltage (see Note 2)	Zone 1	Min. creepage distance	Min. clearance	Zone 2	Min. creepage distance	Min. clearance
		Material group I (C)	(B)		Material group I (C)	(B)
1000 V		20	14		11	8
2000 V		25	23		14	14
4000 V		50	44		28	28
6300 V		80	60		45	45
10000 V		125	100		71	70
15000 V					98	97

Note 1 - Please contact us if your load requirement is above 1000 A.

Note 2 - Voltages shown are derived from IEC 60664-1 and are based on the rationalization of supply voltages given in table 3b if IEC 60664-1. When determining the required values for creepage and clearance, the voltage value in the table may be increased by a factor of 1,1 in order to recognize the range of rated voltages in common use.

Technical data subject to change without notice.



BARTEC deploys rail-mounted terminals with EC model test certification in a variety of electrical operating equipment. BARTEC draws not only on its own innovations in this field, but also uses the know-how of other terminal manufacturers, such as WAGO, Phoenix and Weidmüller. BARTEC keeps a stock of terminals and their associated accessories made by these manufacturers and these are installed in explosion-proofed distributor boxes and at on-site control points as required by the customer.

- Customized assembly
- Marking perspecification
- Phoenix and Weidmüller as standard

Explosion protection

Terminals with EC model test certification are available in the following executions:

Feed-through terminals, Tension spring terminals, Mini-terminals, Block terminals, Protective conductor terminals II 2G Ex e

Feed-through terminals, Tension spring terminals, Mini-terminals II 2G Ex i

Technical data subject to change without notice.

Mounting

The terminals are mounted on rails and each terminal row is provided with a terminal plate at the end to cover open clamp sides. The rows are secured with brackets at both ends to prevent movement. Terminal strips must be installed in accordance with the operating instructions issued by the respective manufacturers. These instructions document the admissible state for the terminal installation required at maximum operating voltages including the necessary accessories. This applies in particular to a mixed arrangement with voltage conducting terminals, protective conductors and potential equalisation terminals, rail-mounted terminals of differing potentials, and between “inherently safe power circuits” and those that are “not inherently safe”. If jumper bars are used, ensure compliance with the clearance and creepage distances required for the operating voltage.



- Proof in Application
- Easy to assemble
- Easy to use

Electrical equipment with operating voltages of more than 65 Volt need protective conductors. Metal enclosures also need an external protective conductor connection. BARTEC supplies these connections in three different sizes. The connections correspond to VDE 0170 and carry marking or

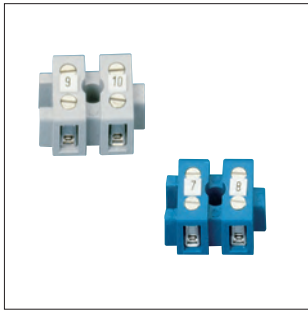
Nominal cross section 1.5 mm ² Max. tightening torque 1.2 Nm	Nominal cross section 4.0 mm ² Max. tightening torque 2.0 Nm	Nominal cross section 10 mm ² Max. tightening torque 3.5 Nm
<p>M 4 8.7 □ 6 Ø 4.9 + 0.1* 8 Δ₁</p>	<p>M 5 11.2 □ 10 A Ø 6.9 + 0.1* 9.5 Δ₁</p>	<p>M 6 15 □ 15 Ø 8.8 + 0.1* 10 r Δ₁</p>
*Hole diameter in case of aluminium		

Installation instructions (A):
Push in square cap (**do not hammer in**); put on terminal clamp and fasten screw with spring washer. Screw type terminals with U-brackets have to be wired according to EN 60999-1; 2000.

Ordering information

Designation	Nominal cross section	Possible conductors	Socket material	Order no.
<p>Earth terminals</p>	1.5 mm ²	1.5 mm ² stranded, 2.5 mm ² single wire	Ms nickel-plated	05-0012-0038
	4.0 mm ²	4.0 mm ² stranded, 6.0 mm ² single wire	Ms nickel-plated	05-0012-0001
	10.0 mm ²	10.0 mm ² stranded, 10.0 mm ² single wire	Ms nickel-plated	05-0012-0003
	1.5 mm ²	1.5 mm ² stranded, 2.5 mm ² single wire	Niro steel	05-0012-0039
	4.0 mm ²	4.0 mm ² stranded, 6.0 mm ² single wire	Niro steel	05-0012-0018
	10.0 mm ²	10.0 mm ² stranded, 10.0 mm ² single wire	Niro steel	05-0012-0022
<p>PE terminals</p>	1.5 mm ²	1.5 mm ² stranded, 2.5 mm ² single wire	Ms nickel-plated	05-0012-0002
	4.0 mm ²	4.0 mm ² stranded, 6.0 mm ² single wire	Ms nickel-plated	05-0012-0034
	10.0 mm ²	10.0 mm ² stranded, 10.0 mm ² single wire	Ms nickel-plated	05-0012-0035
	1.5 mm ²	1.5 mm ² stranded, 2.5 mm ² single wire	Niro steel	05-0012-0019
	4.0 mm ²	4.0 mm ² stranded, 6.0 mm ² single wire	Niro steel	05-0012-0036
	10.0 mm ²	10.0 mm ² stranded, 10.0 mm ² single wire	Niro steel	05-0012-0037

Technical data subject to change without notice.



- Modular design
- Use without rail
- Marking individual

Ex e I/II mini-terminal

The mini terminal allows conductors to be connected in hazardous areas. In order to protect from mechanical damage, touch, dust and moisture, Ex terminals must be installed in increased safety type "e" enclosures. BARTEC mini-terminals are available as 2 and 3-pole terminals which can be mounted in a row. The clearances and creepage distances allow the terminals to be mounted directly on metal. Each individual terminal pole is marked with a number or symbol by a clip-on label. 2 and 3-pole bridges are available for cross connection terminals.

Ex I/II mini-terminals for intrinsically safe circuits

The design of the blue mini-terminal is the same as that of the Ex e I/II mini-terminal and is tested in the same way, too.

Explosion protection

Marking ATEX	⊕ II 2G Ex eb IIC Gb ⊕ I M2 Ex eb I mb
Certification	PTB 99 ATEX 3117 U
Marking IECEx	Ex eb IIC Gb Ex eb I mb
Certification	IECEx PTB 07.0007 U
Other approvals and certificates, see www.bartec.de	
Min. ambient temperature	-55 °C
Max. operating temperature	+120 °C

Technical data

Rated voltage	max. 440 V at UL (CSA: 300 V)
Rated current	max. 23 A at UL (CSA: 16 A)
Rated cross-section	2.5 mm ² (single-, fine- and multi-stranded) at UL (CSA: AWG 24 - 14)
Connection of several conductors	max. 2 x 1 mm ² (of the same cross section and type)
Operating temperature range	-55 °C to +120 °C
Material	Insulation: Duroplast Terminal: Copper alloy
Bridge	2 and 3-pole bridge
Labelling	plug-in label
Mounting	2-pole: 13 g 3-pole: 19 g
Weight	BARTEC mounting rail or base of enclosure
Contact spacing	11 mm
Tightening torque for clamp screw (EN 60999-1: 2000, TAB 4, III)	for clamp screw = 0.4 Nm at UL (CSA: 3.5 lb. in.) for screw and washer assembly for fixation = 0.6 Nm at UL (CSA: 5.3 lb. in.)

Ordering information

Illustration	Designation	Order no.	
	Mini terminal 2-pole, Ex e, grey*	07-9702-0220/1	
	Mini terminal 2-pole, blue*	07-9702-0220/2	
	Mini terminal 3-pole, Ex e, grey*	07-9702-0320/1	
	Mini terminal 3-pole, blue*	07-9702-0320/2	
	2-pole bridge	05-0120-0004	
	3-pole bridge	05-0120-0005	
	Rotation stop for base mounting required when a single 2-pole terminal is mounted	05-0010-0002	
	Rotation stop for rail mounting required when a single 2-pole terminal is mounted	05-0106-0015	
	Label not printed	05-1144-0001	
	Label printed 0-99, A-Z, symbols on request	05-1144-0002	
<p>ähnlich DIN EN ISO 1207 (DIN 84)</p>	Screw combination, M3	l = 11 mm	03-1830-0001
	unit 100 pieces	l = 12 mm	03-1830-0004
		l = 15 mm	03-1830-0005
	Mounting rail	3 x 10 mm or 5 x 10 mm	on request

* Product printing standard: ATEX and IECEx marking. Other markings on request. Please specify in plain text.

Technical data subject to change without notice.



- Increased voltage
- Large cross section
- With or without mounting rail

The continuous demand for increased nominal insulation voltage and current carrying capacity in Ex e terminals made us develop these larger BARTEC terminal blocks. Terminals for 4 mm² and 16 mm² conductors are available in 2- and 3-pole versions. Terminals for 35 mm² conductors are available in a 3-pole version. The terminals can be fitted directly onto a metal base or onto a 10 x 5 mm mounting rail.

Explosion protection

Marking ATEX	II 2G Ex eb IIC Gb I M2 Ex eb I Mb
Certification	EPS 17 ATEX 1 041 U
Marking IECEx	Ex eb IIC Gb Ex eb I Mb
Certification	IECEx EPS 17.0026 U
Other approvals and certificates, see www.bartec.de	
Min. ambient temperature	-55 °C
Max. operating temperature	+105 °C

Technical data

Nominal voltage	1100 V
Bridge	Jumper bar, 2-pole up to 5-pole
Labelling	2 labels per pole
Mounting	BARTEC mounting rail or base of enclosure
Material	Insulation: Duroplast Terminal (4 mm ² /16 mm ²): Copper alloy Terminal (35 mm ²): Galvanised steel

Rating cross section

	4 mm ²	16 mm ²	35 mm ²
Conductor cross section			
stranded	0.5 mm ²	0.5 mm ²	2.5 mm ²
single and multi wire	up to 4.0 mm ²	up to 16 mm ²	up to 35 mm ²
Max. current carrying capacity at ambient temp. +40 °C and conductor cross section	30 A	72 A	120 A
Weight			
2-pole	44 g	68 g	-
3-pole	68 g	104 g	285 g
Spacing	20 mm	20 mm	28 mm
Tightening torque of clamp screw	0.8 Nm	2.0 Nm	3.5 Nm

Ordering information

Illustration	Designation	Order no.
	Terminal block, 4 mm ² , 2-pole	07-9721-0240
	Terminal block, 16 mm ² , 2-pole	07-9721-0260
	Terminal block, 35 mm ² , 3-pole	07-9721-0380
	Rotation stop for floor mounting required when a single 2-pole terminal is mounted	05-0010-0004
	Rail 5 x 10 mm, spacing 20	on request
	Rail 5 x 10 mm, spacing 28	on request

Ordering information

Illustration	Designation	Order no.
	Terminal block, 4 mm ² , 3-pole	07-9721-0340
	Terminal block, 16 mm ² , 3-pole	07-9721-0360
	Jumper bar, factory mounted, 4 mm ² 2-pole 3-pole 4-pole 5-pole Jumper bar, factory mounted, 16 mm ² 2-pole 3-pole 4-pole 5-pole Jumper bar, factory mounted, 35 mm ² 2-pole 3-pole 4-pole 5-pole	05-0110-0005 05-0110-0006 05-0110-0011 05-0110-0012 05-0110-0007 05-0110-0008 05-0110-0009 05-0110-0010 05-0110-0013 05-0110-0014 05-0110-0015 05-0110-0016
Similar to DIN EN ISO 1207 (DIN 84)	Fixing screw, M 4 x 10 mm for the insulator	03-1040-0001
	Circlip S4 as securing element for fastening screw	03-3540-0001
	Labels not printed printed as per column 1 (1 - 10, 11 - 20) printed as per column 2 (1 - 50) printed, L1, L2, L3, N, PE printed to customer specifications 1 unit = 50 Labels	03-3600-0007 03-3600-0011 03-3600-0001 03-3600-0012 03-3600-0013

Technical data subject to change without notice.



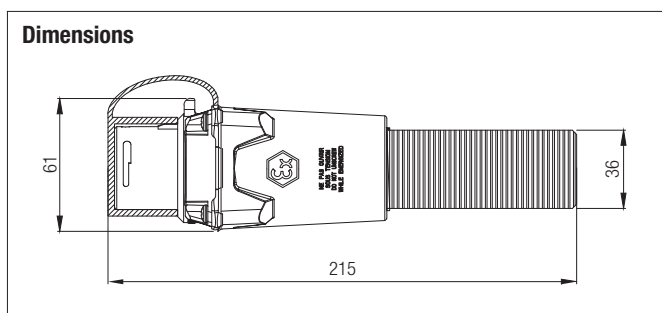
Applications

- Data logging & retrieval
- Portable data capture
- Diagnostics
- Hot systems restore
- Locking/unlocking of computers
- Virus scanning
- Installation of applications
- Run applications
- OS maintenance

ExDrive USB solutions represent an ultra-rugged mobile memory solution for hazardous areas. Measuring 215 x 61/36 mm and weighing in at 500 g, the BARTEC TECHNOR ExDrive will never be misplaced, lost or accidentally forgotten. Encased in machined 6082 aluminium bolt, the ExDrive offers a near indestructible and hot pluggable mobile solution for routine data exchange or systems restoration.

ExDrive USB Mobile-Disk for use in hazardous areas

Easy access of all stored data by hot “plug and play” action within hazardous areas. The ExDrive is detected by the computer and is “seen” as any other mobile disk. The hazardous area docking station may be wall or equipment mounted and connected with the pre-connected 2 m cable fitted with an M20 Ex de gland and USB interface plug. The safe area docking station with USB connection allows easy access to data in safe area.



Explosion protection

Marking	Ex II 2G Ex de IIC T6
Certification	Pending Update
Other approvals and certificates, see www.bartec.de	

Technical data

Transfer rate	USB 2.0
Memory	128 GB or customer requirement
Protection class	IP 66
Operating temperature	0 °C to +50 °C
Weight	0.5 kg
Length	210 mm

Order information

ExDrive USB Stick	1162967
ExDrive Zone 1 docking station w/junction box	1162968
ExDrive Zone 1 docking station wall mount receptable	1162969
ExDrive Safe area docking station	1162970

Technical data subject to change without notice.



- Zones 1/21 and 2/22
- Extremely robust
- 16 A - 63 A

The plug connections in the 07-831* series are suitable for use in potentially explosive areas of Zones 1/21 and of Zones 2/22. The quality materials used for the enclosure, including the external metal parts, guarantee the appropriate corrosion protection and chemical resistance for the application in “normal industrial atmospheres”:

- Impact resistant polyamide
- Fibreglass reinforced polyester
- Stainless steel AISI 316 L

The plug connections are used to supply power to portable local controllers, electrical installations and mobile machines and drives in potentially explosive areas, but can also be used in a “normal industrial area”. The low voltage sockets can be used up to a max. 16 A and for the voltage range set out in EN 60309 (see technical data). The operating equipment connected to the connector must be suitable for the mains voltage supplied.

Explosion protection

Marking ATEX	Ex d e [ia] IIC T6 Gb Ex tb IIIC T80 °C Db
Certification	
Wall socket/connector	PTB 99 ATEX 1039
Flange socket	PTB 99 ATEX 1040 U
Marking IECEx	Ex ed [ia] IIC T6
Certification IECEx	IECEx BKI 04.0002
Other approvals and certificates, see www.bartec.de	
Permitted ambient temperature	-20 °C to +40 °C (extended temperature range on request)

Technical data

Rated voltage	up to 250 V, (3-pole)/415 V, (4-pole)/415 V, (5-pole) AC Further voltage ranges on request
Rated current	16 A
Frequency	up to 400 Hz
Making/breaking capacity AC-3 in acc. with EN 60947-4	U _e 690 V/I _e 16 A
Max. external back-up fuse	without thermal protection: 16 A with thermal protection: 35 A gL (Rated current set to 16 A)
Protection class	I
Protection type	IP 66 EN/IEC 60529
Enclosure colour	black

Wall socket

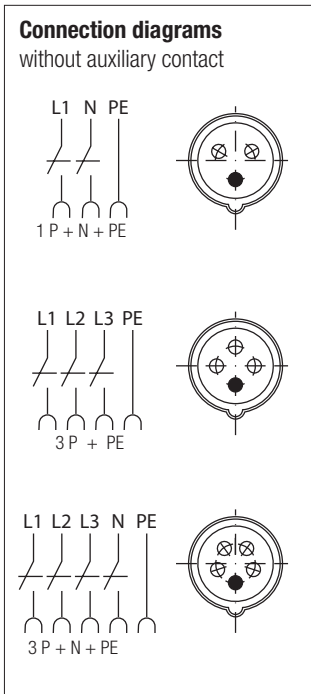
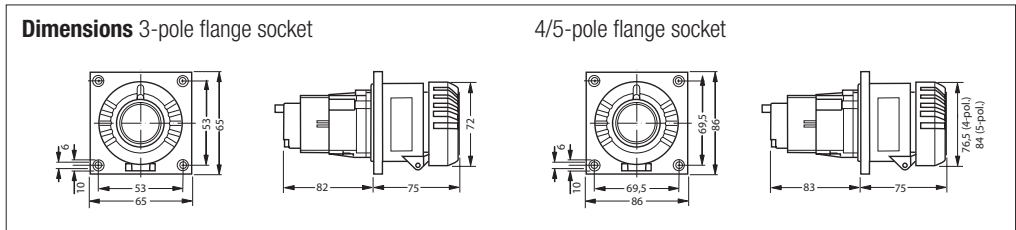
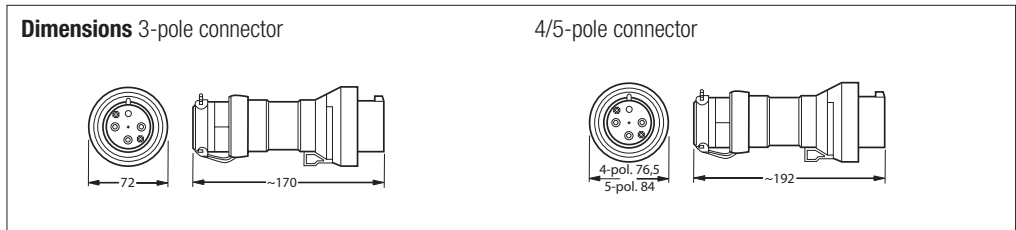
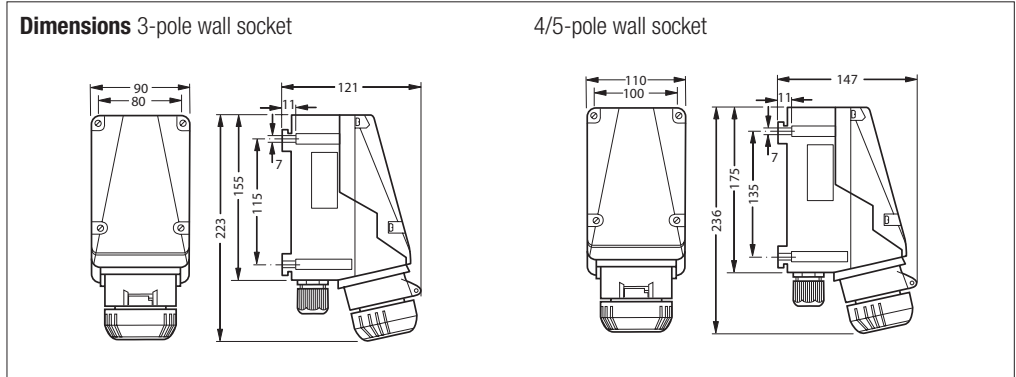
Cable glands	1 x M25 Ø 8 to 17 mm 1 x M25 plastic EX screw plug
Terminals	2 x 1 to 4 mm ²
Enclosure material	Fibreglass reinforced polyester

Connector

Cable glands	Ø 8 to 19 mm (3-pole) Ø 8 to 21 mm (4-pole) Ø 12 to 21 mm (5-pole)
Terminals	1 x 1.0 to 2.5 mm ²
Enclosure material	Polyamide

Flange socket

Terminals	2 x 1 to 4 mm ²
Enclosure material	Polyamide



Ordering information

Voltage	h	Type	Cable gland	Weight approx. kg	Order no.
Type 16 A 3-pole 200 to 250 V	6	Wall socket	M25 KU	1.2	07-8314-34431000
		Flange socket		0.4	07-8313-34100000
		Connector		0.35	07-8311-34100000
Type 16 A 4-pole 380 to 415 V	6	Wall socket	M25 KU	1.8	07-8314-45431000
		Flange socket		1.0	07-8313-45100000
		Connector		0.7	07-8311-45100000
Type 16 A 5-pole 200 to 250 V 380 to 415 V	6	Wall socket	M25 KU	1.8	07-8314-55431000
		Flange socket		1.0	07-8313-55100000
		Connector		0.7	07-8311-55100000

Other voltage ranges and designs are available on request.
 KU = 1 x M25 plastic cable gland for Ø 8 to 17 mm, 1 x M25 plastic EX screw plug

Technical data subject to change without notice.



- Zones 1/21 and 2/22
- Extremely robust
- 16 A to 63 A

The plug connections in the 07-832* series are suitable for use in potentially explosive areas of Zones 1 and 2 and of Zones 21 and 22. The quality materials used for the enclosure, including the external metal parts, guarantee the appropriate corrosion protection and chemical resistance for the application in "normal industrial atmospheres":

- Impact resistant polyamide
- Fibreglass reinforced polyester
- Stainless steel AISI 316 L

The plug connections are used to supply power to portable local controllers, electrical installations and mobile machines and drives in potentially explosive areas, but can also be used in a "normal industrial area". The low voltage sockets can be used up to a max. 32 A and for the voltage range set out in EN 60309 (see technical data). The operating equipment connected to the connector must be suitable for the mains voltage supplied.

Explosion protection

Marking ATEX	II 2G Ex d e [ia] IIC T6 Gb II 2D Ex tb IIIC T80 °C Db
Certification	
Wall socket/connector	PTB 99 ATEX 1041
Flange socket	PTB 99 ATEX 1042 U
Marking IECEx	Ex ed [ia] IIC T6
Certification	IECEx BKI 04.0006
Other approvals and certificates, see www.bartec.de	
Permitted ambient temperature	-20 °C to +40 °C (extended temperature range on request)

Technical data

Rated voltage	up to 250 V, (3-pole)/415 V, (4-pole)/415 V, (5-pole) AC Further voltage ranges on request
Rated current	32 A
Frequency	up to 400 Hz
Making/breaking capacity AC-3 in acc. with EN 60947-4	U_e 690 V / I_e 32 A
Max. external back-up fuse	Without thermal protection: 35 A With thermal protection: 50 A gL (Rated current set to 32 A)
Protection class	I
Protection type	IP 66 EN/IEC 60529
Enclosure colour	black

Wall socket

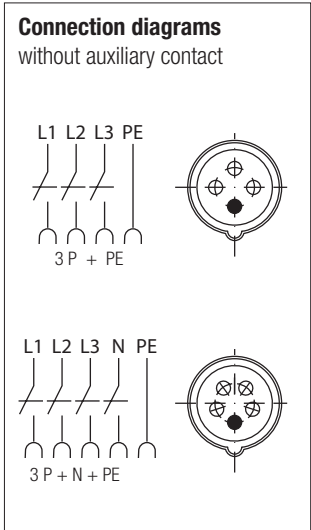
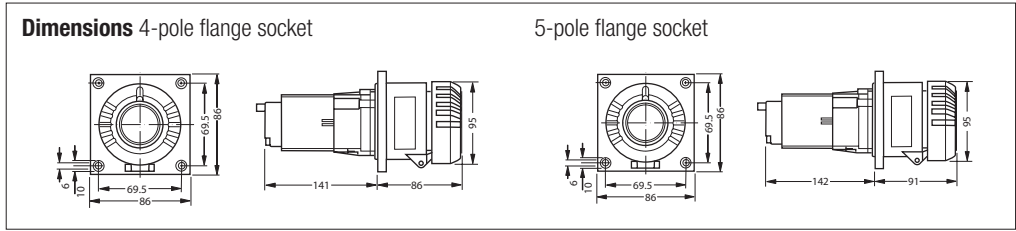
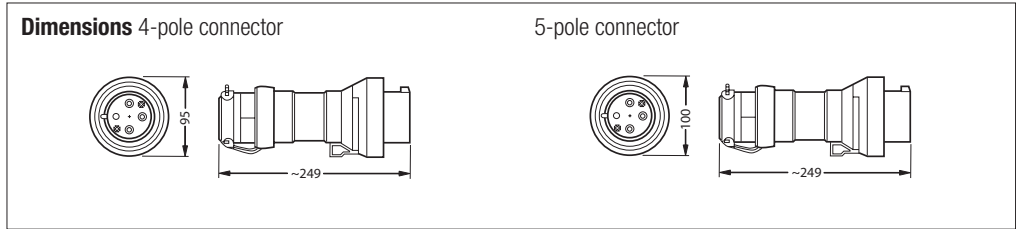
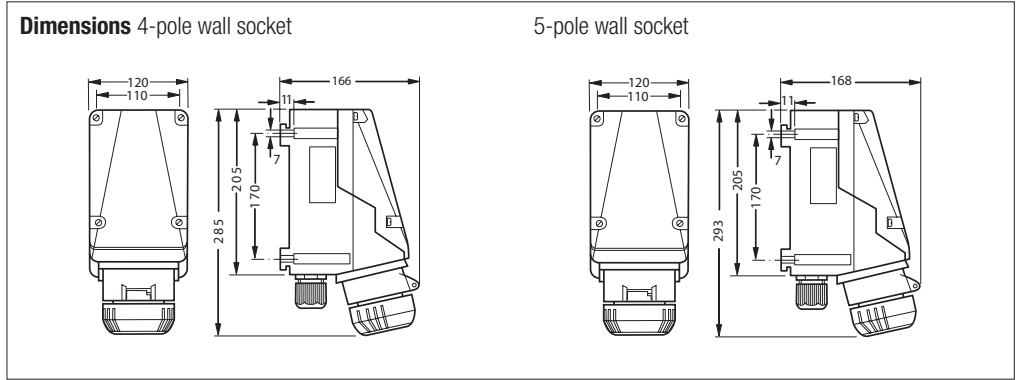
Cable glands	1 x M40 Ø 17 to 28 mm 1 x M40 plastic Ex screw plug
Terminals	2 x 4 to 10 mm ²
Enclosure material	Fibreglass reinforced polyester

Connector

Cable glands	Ø 17 to 28 mm
Terminals	1.0 to 6 mm ²
Enclosure material	Polyamide

Flange socket

Terminals	2 x 4 to 10 mm ²
Enclosure material	Polyamide



Ordering information

Voltage	h	Type	Cable gland	Weight approx. kg	Order no.
Type 32 A 4-pole 380 to 415 V	6	Wall socket	KU	1.8	07-8324-45461000
		Flange socket		1.0	07-8323-45100000
		Connector		0.7	07-8321-45100000
Type 32 A 5-pole 200 to 250 V 380 to 415 V	6	Wall socket	KU	1.8	07-8324-55461000
		Flange socket		1.0	07-8323-55100000
		Connector		0.7	07-8321-55100000

Other voltage ranges and designs are available on request.
 KU = 1 x M40 plastic cable gland for Ø 17 to 28 mm, 1 x M40 plastic EX screw plug
 Technical data subject to change without notice.



- Zones 1/21 and 2/22
- Extremely robust
- 16 A to 63 A

The plug connections in the 07-833* series are suitable for use in potentially explosive areas of Zones 1/21 and of Zones 2/22. The quality materials used for the enclosure, including the external metal parts, guarantee the appropriate corrosion protection and chemical resistance for the application in “normal industrial atmospheres”:

- Impact resistant polyamide
- Fibreglass reinforced polyester
- Stainless steel AISI 316 L

The plug connections are used to supply power to portable local controllers, electrical installations and mobile machines and drives in potentially explosive areas, but can also be used in a “normal industrial area”. The low voltage sockets can be used up to a max. 63 A and for the voltage range set out in EN 60309 (see technical data). The operating equipment connected to the connector must be suitable for the mains voltage supplied.

Explosion protection

Marking ATEX	II 2G Ex d e IIC T6 Gb II 2D Ex tb IIIC T80 °C Db
Certification	PTB 00 ATEX 1070
Marking IECEx	Ex ed IIC T6
Certification	IECEx BKI 04.0004
Other approvals and certificates, see www.bartec.de	
Permitted ambient temperature	-20 °C to +40 °C (extended temperature range on request)

Technical data

Rated voltage	up to 415 V AC, further voltage ranges on request
Bemessungsstrom	63 A
Frequenz	up to 400 Hz
Making / breaking capacity AC-3 in acc. with EN 60947-4	U_p 690 V / I_p 63 A
Max. external back-up fuse	Without thermal protection: 63 A With thermal protection: 80 A gL (Rated current set to 63 A)
Protection class	I
Protection type	IP 66 EN/IEC 60529
Enclosure colour	black

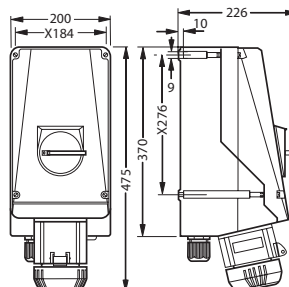
Wall socket

Cable glands	1 x M50 Ø 22 to 35 mm 1 x M50 plastic EX screw plug
Terminals	2 x 4 to 25 mm ² Pin cable shoe 1 x 35 mm ²
Enclosure material	Fibreglass reinforced polyester

Connector

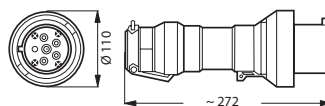
Cable glands	Ø 19 to 34 mm
Terminals	1 x 4 to 16 mm ² Pin cable shoe ²⁾ 1 x 25 mm ²
Enclosure material	Polyamide

Dimensions 4/5-pole wall socket

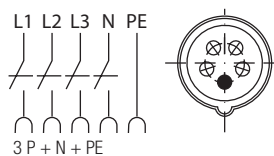
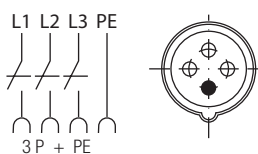


X = mounting dimensions

Dimensions 4/5-pole connector



Connection diagrams
without auxiliary contact



Ordering information

Voltage	h	Type	Cable gland	Weight approx. kg	Order no.
Type 63 A 4-pole 380 to 415 V		Wall socket	KU	1.8	07-8334-45461000
		Connector		0.75	07-8331-45100000
Type 63 A 5-pole 200 to 250 V 380 to 415 V		Wall socket	KU	1.8	07-8334-55461000
		Connector		0.75	07-8331-55100000

Other voltage ranges and designs are available on request.
KU = 1 x M50 plastic cable gland for Ø 22 to 35 mm, 1 x M50 plastic Ex screw plug

Technical data subject to change without notice.

Customer requirements Terminal Boxes

Customer

Company

Street

Postcode/City

Country

Contact person

E-mail

Phone

Fax

BARTEC (to fill out by the BARTEC employee)

Sales employee

Offer Order

Project name/Application number

Customer number

Order value

Deadline Offer

Delivery

Quantity pieces

Enclosure material

Aluminium, grey

Polyester, grey, not for DustEx

Polyester, black

Stainless steel V2A

Stainless steel V4A

with door

with lid

Ex protection type

Ex e

Ex i

Ex e/Ex i

DustEx

Non Ex

IP 65/..

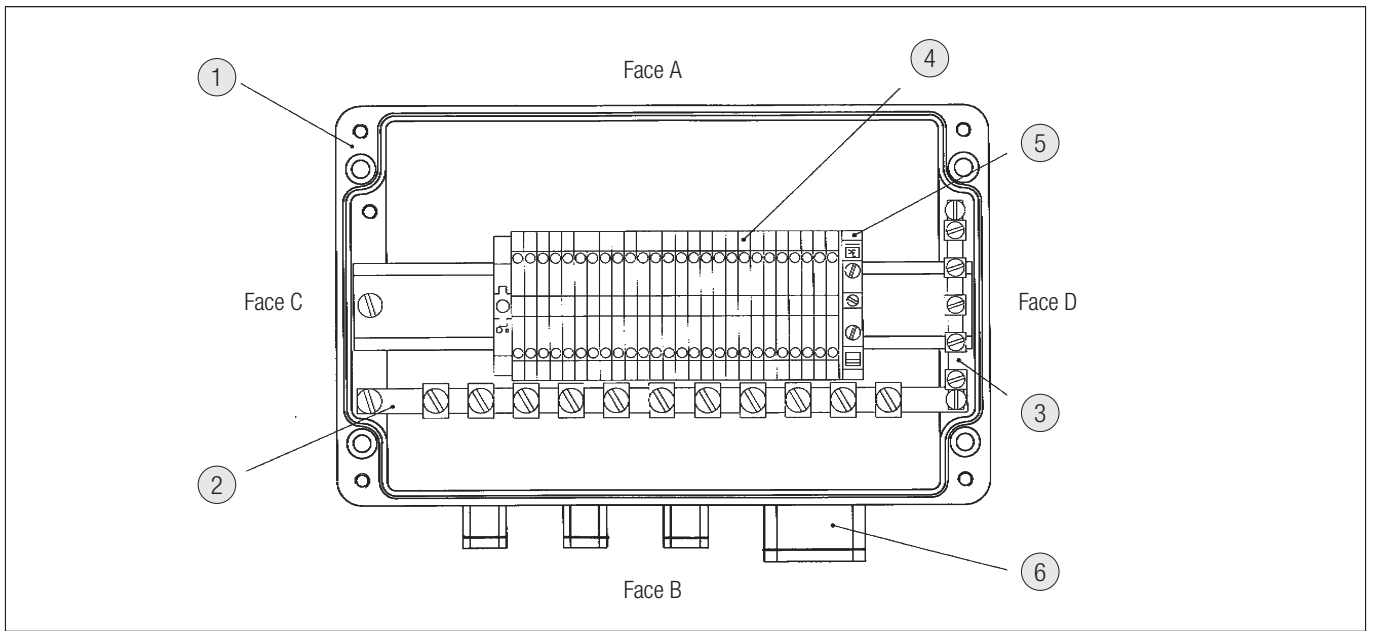
Nominal voltage

AC V

DC V

Further requests

Customer requirements Terminal Boxes



Enclosure size (mm) ①

Length _____

Width _____

Protective earth conductor bars ② ③

Horizontal rail

Vertical rail

Rail mounted terminals, PA/PE-terminals ④ ⑤

Type	Cross section	Number

Cable glands/stopping plugs (number) ⑥

Cable glands	Stopping plugs	Face A	Face B	Face C	Face D
Gland plate (only for SS enclosures)					