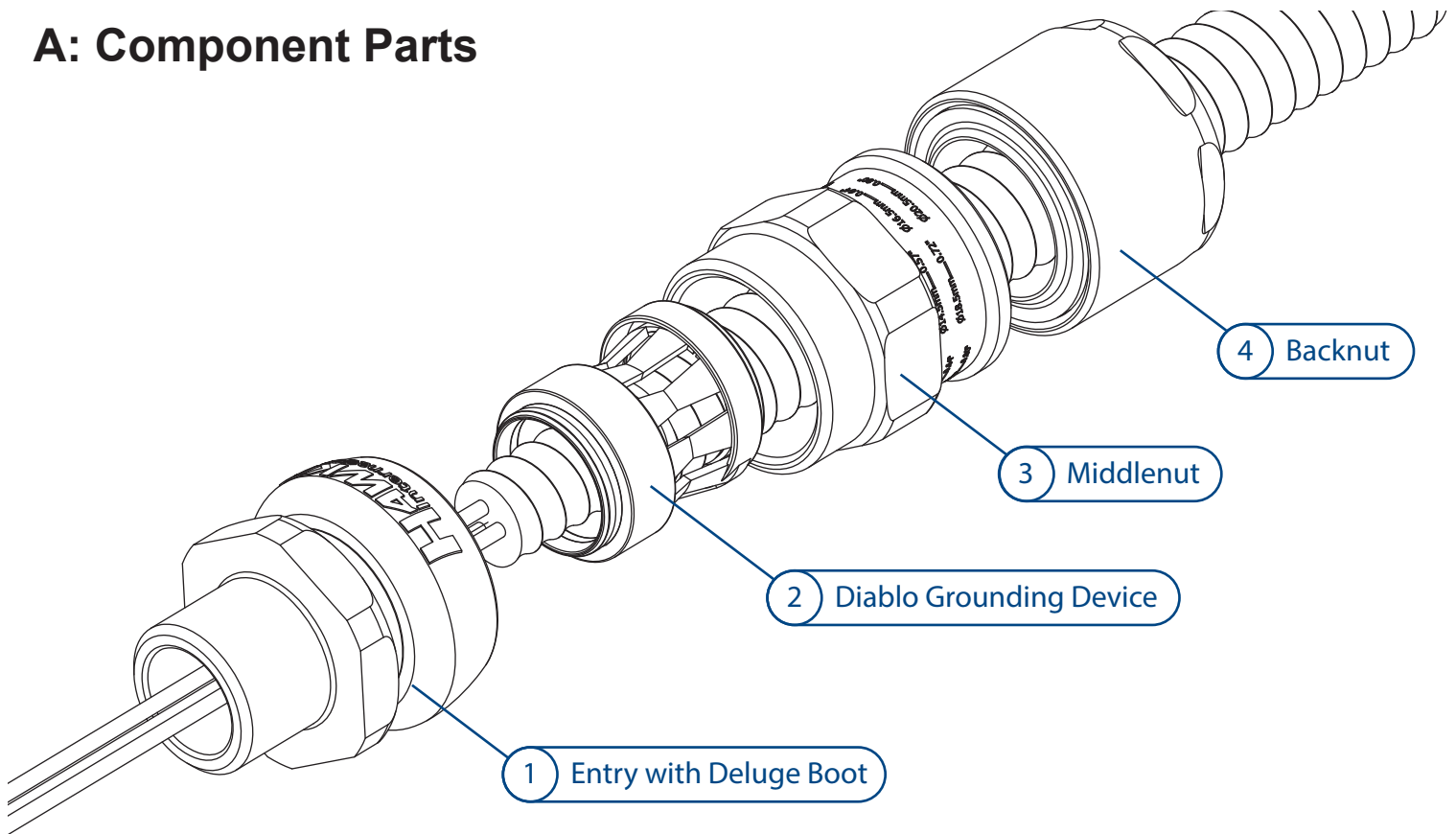
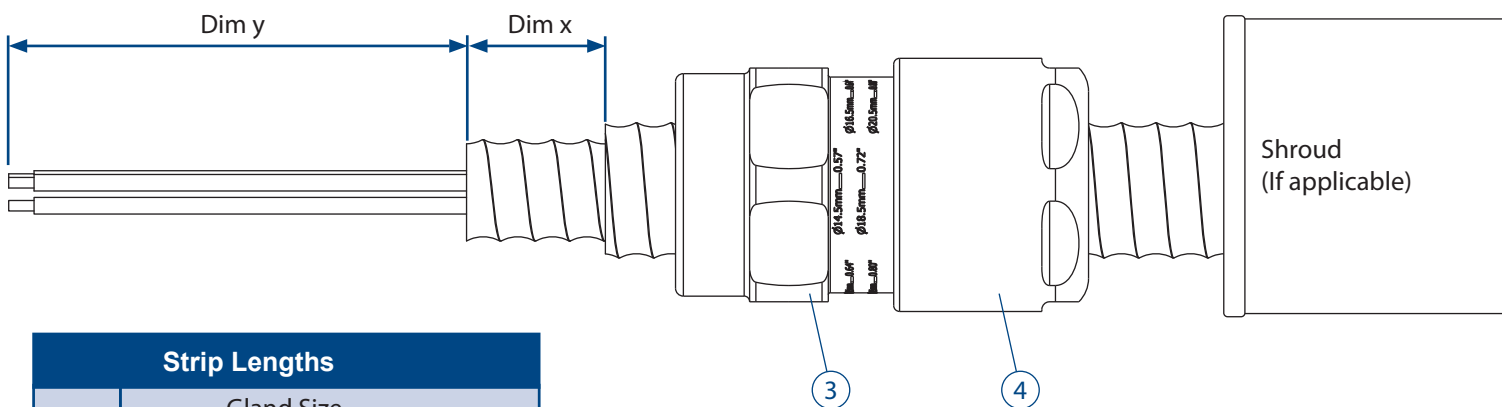


### A: Component Parts



### B: Cable Preparation

Strip cable to expose metal clad sheath. Strip length to suit equipment.  
 Slide shroud (if applicable), backnut ④ and middlenut ③ onto cable.  
 For preparation of Drain Wires see separate AI 2028.  
 If an inner sheath is not present and using Express Resin, use electrical tape wrapped around the base of the cores to create a suitable sealing surface.

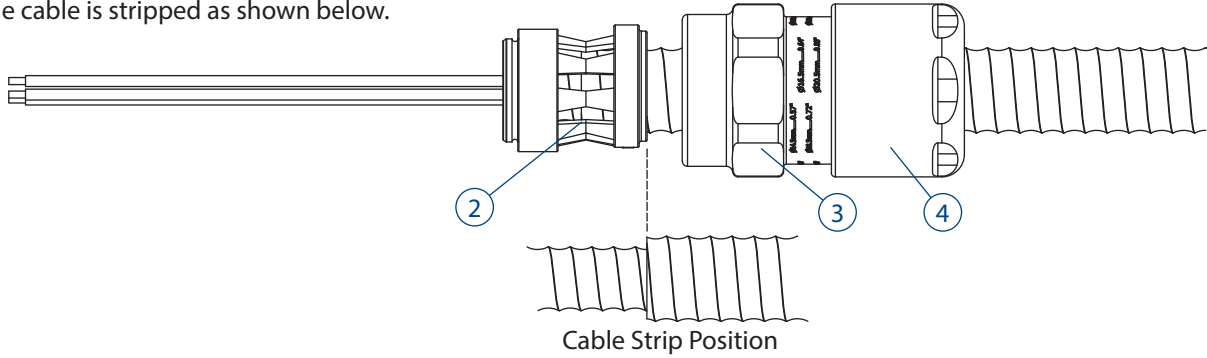


Strip Lengths				
Dim	Gland Size			
	A,B	C, C2	D, E	F
x	0.70"	0.83"	1.24"	1.34"
y	To suit equipment			

# C: Installing Cable Gland

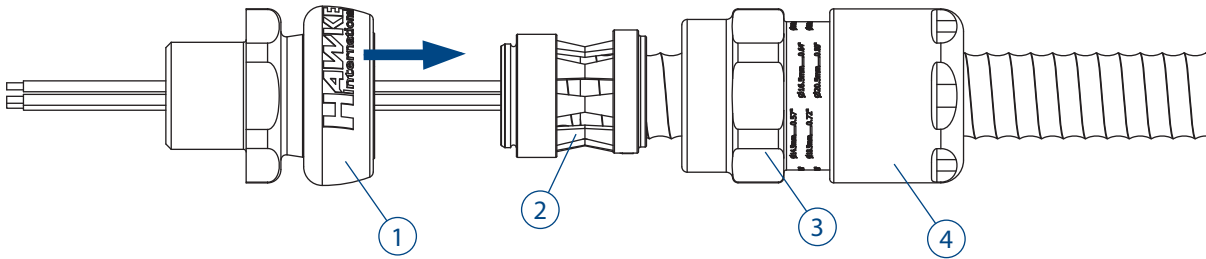
## STEP 1: Fit Diablo

Slide diablo ② onto cable. Ensure that diablo ② is positioned on the exposed metal clad sheath, with the rear end of the diablo at the point where the cable is stripped as shown below.



## STEP 2: Prepare to Clamp Armour/Braid

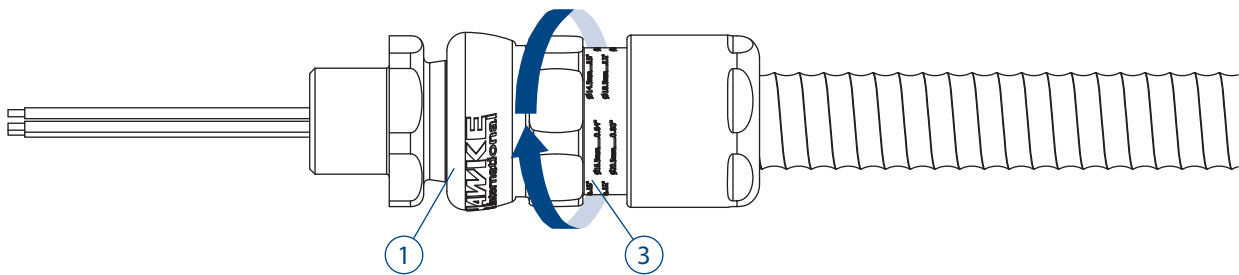
Slide Entry ① over cable.



## STEP 3: Engage Diablo

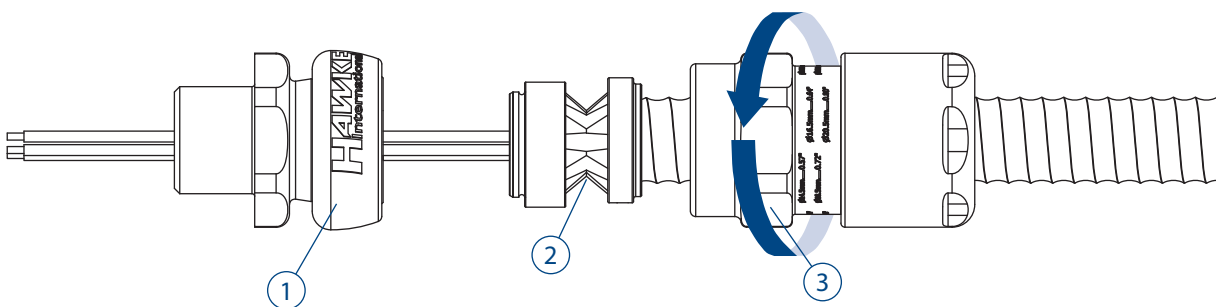
Ensuring that the diablo stays in place, tighten the middle nut ③ onto the entry ① with a wrench until the diablo grips the metal clad sheath.

Tighten the middle nut ③ a further half turn with a wrench/spanner.



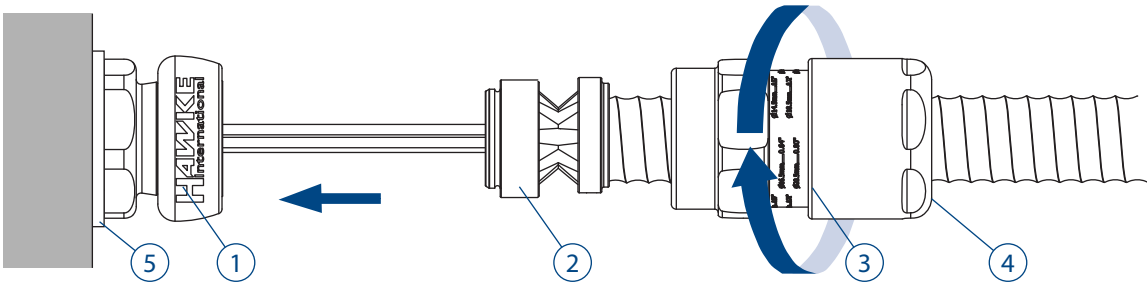
## STEP 4: Inspect Armour/Braid

Unscrew the middle nut ③ and visually inspect that the diablo ② has adequately clamped the metal clad sheath. If clamping is not satisfactory, repeat step 3.



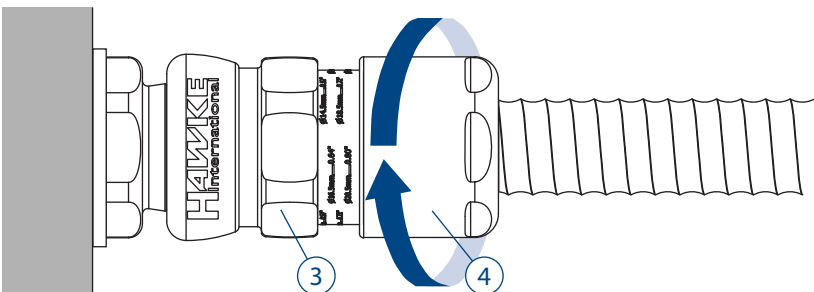
**STEP 5: Fit to Enclosure**

Now diablo is fitted, use a wrench to fit entry ① into enclosure. If required, use the appropriate IP washer ⑤. Slide cable through entry ① until diablo ② is seated in the entry. Hand tighten the middle nut ③ to entry and add 1/2 turn with a wrench.



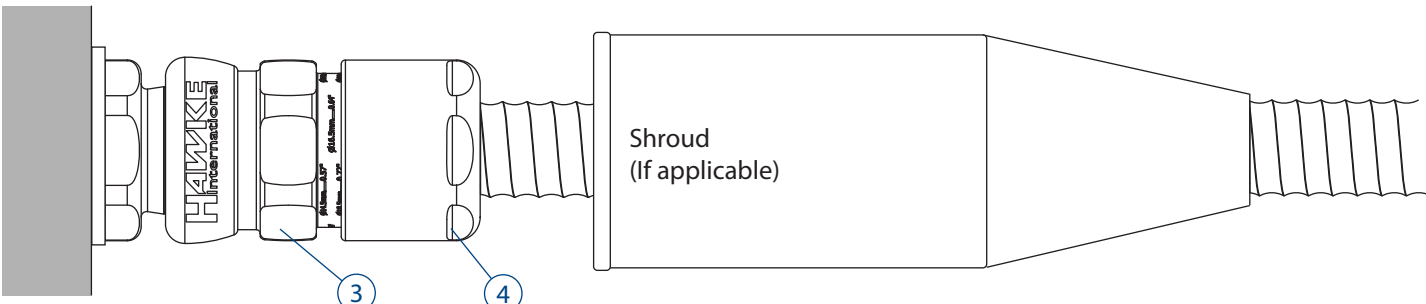
**STEP 6: Install Backnut**

Tighten the backnut ④ until a seal is formed around the cable. Use a wrench/spanner to grip the middle nut ③. While preventing the middle nut ③ turning, use a second wrench to apply one further full turn to the backnut ④.



**STEP 7: Inspect Backnut**

Use the middle nut ③ guide as an indication that the backnut ④ is in the correct position to suit cable diameter. A diameter scale below is provided to assist in this process.



If enclosure end of middle nut is exposed, pull down deluge boot to cover the exposed end.



## TECHNICAL DATA

**Cable Gland Type:** 701-X  
**Equipment Type:** American Series Cable Glands  
**Ingress Protection:** IP66, IP67, IP68\*, IP69, NEMA 4X  
 \*30m for 7 days with thread sealant  
 10m for 24hrs no thread sealant; A-C size only  
**Operating Temp:** -50°C to +80°C

## CERTIFICATION DETAILS

UL: Class I, Zone 1, AEx e IIC, Ex eb IIC Gb; Zone 21, AEx tb IIIC, Ex tb IIIC Db (MC-HL)  
 Class I, Zone 2, AEx e IIC, Ex eb IIC Gc; Zone 22, AEx tb IIIC, Ex tb IIIC Dc (MC)  
 Listing No. E84940  
 Suitable for Wet Locations

## INSTALLATION NOTES

1. All cable glands must be installed by a suitably trained and competent individual.
2. Entry threads are in accordance with Metric BS3643 or ANSI/ASME B1.20.1
3. Installer must check material compatibility with enclosure and environment.
4. To maintain IP66/IP67/IP69, Hawke certified sealing washer or other approved sealing method must be used.
5. Sealing face surface must be smooth and free from damage
6. All entries must be installed perpendicular to the mounting surface.

## ACCESSORIES

Hawke offer the following accessories to enable correct ingress protection and grounding of cable gland.

- Shroud:** For additional corrosion protection
- Locknut:** To secure gland into position
- Sealing Washer:** For additional ingress protection
- Earth Tag:** For external bonding point
- Serrated Washer:** To prevent vibration loosening locknuts

## SPECIFIC CONDITIONS OF USE

1. When the gland is used for increased safety, the entry thread shall be suitably sealed to maintain the ingress protection rating of the associated enclosure.

## TORQUE VALUES

All torque values below were generated on metallic mandrels. For cable, it is recommended that the assembly instructions are followed.

Torque Figures N/m									
Gland Size	Os	O	A	B	C	C2	D	E	F
Backnut Torque	12	12	20	30	35	45	56	60	75

CABLE GLAND SELECTION TABLE									
Size Ref.	Entry Thread Size		Cable Acceptance Details				Max Length	Hexagon Dimensions	
			Armour Sheath		Outer Sheath				
	Metric	NPT	Min. Dia	Max. Dia	Min.	Max.		Across Flats	Across Corners
A	M20	½" - ¾"	0.41"	0.64"	0.49"	0.81"	2.94"	1.18"	1.28"
B	M25	¾" - 1"	0.55"	0.93"	0.67"	1.02"	3.24"	1.42"	1.56"
C	M32	1" - 1¼"	0.85"	1.23"	0.87"	1.30"	3.52"	1.81"	1.99"
C2	M40	1¼" - 1½"	1.17"	1.59"	1.10"	1.61"	3.81"	2.17"	2.39"
D	M50	1½" - 2"	1.37"	1.96"	1.42"	2.07"	4.77"	2.56"	2.79"
E	M63	2" - 2½"	1.81"	2.55"	1.81"	2.57"	4.74"	3.15"	3.46"
F	M75	2½" - 3"	2.37"	2.98"	2.24"	3.07"	4.94"	3.74"	4.09"