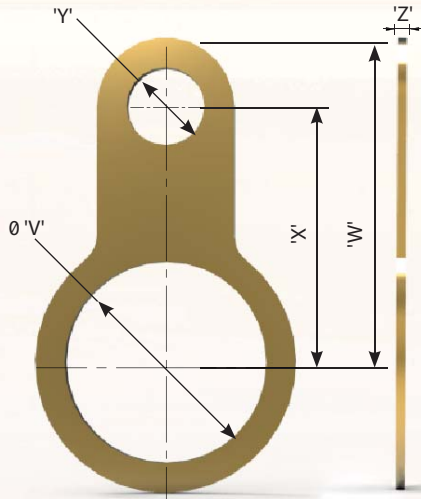
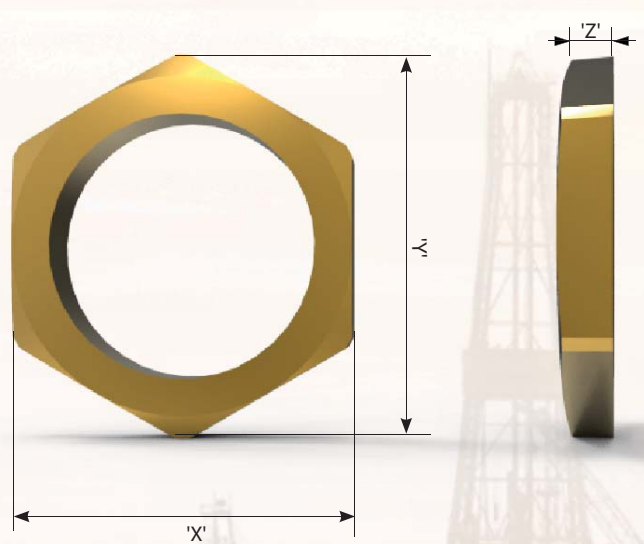


Earthtags



Locknuts



General Information

- Provides an earth bond attachment for a cable gland.
- Manufactured in Brass as standard.
- Stainless Steel earthtags are available, but the dimensions may differ slightly to those stated in the selection table. Please contact the Hawke Sales Team for details.
- The earthtag shape may vary for different sizes.

General Information

- For use on cable gland entry threads.
- Manufactured in Brass as standard.
- Stainless Steel locknuts are also available, but dimensions may differ from the ones in the table.
- Locknuts for PG thread sizes are available.

Note: All dimensions are in millimetres.

SELECTION TABLE

Gland Size 'V'	'Y'	'W'	'X'	'Z'
M20	6.75	39.6	33.1	1.5
M25	6.85	45.5	36.5	1.5
M32	12.6	52.0	40.9	1.5
M40	13.4	59.6	44.2	1.5
M50	13.5	78.9	58.1	1.5
M63	13.5	87.6	66.8	1.5
M75	13.5	93.7	72.9	1.5
M80	14.0	128.0	104.0	1.5
M90	14.0	128.0	104.0	1.5
M100	14.0	128.0	104.0	2.0
M110	13.5	136.0	115.0	2.0
M115	13.5	141.0	120.0	2.0
M120	13.5	143.5	122.5	2.0
M130	13.5	153.0	128.0	2.0

Ordering Examples:

Product	Thread Size	Material	Finish
Earthtag	M25	Brass	N/A

Note: All dimensions are in millimetres except where * denotes dimensions in inches.

SELECTION TABLE

Gland Size	Across Flats 'X'	Across Corners 'Y'	'Z'	NPT* Gland Size	Across Flats 'X'	Across Corners 'Y'	'Z'
M16	22.0	24.0	3.7/4.7	—	—	—	—
M20	24.0	26.4	3.7/4.7	½"	27.0	29.7	3.0/4.0
M25	30.0	33.3	3.7/4.7	¾"	30.5	33.5	3.7 / 4.7
M32	40.0	44.0	3.7/4.7	1"	36.0	39.5	6.0/7.0
M40	46.0	50.5	4.5/5.5	1 ¼"	46.0	50.5	6.0/7.0
M50	65.0	71.5	4.5/5.5	1 ½"	55.0	60.6	6.0/7.0
M63	80.0	88.0	6.0/7.0	2"	65.0	70.8	6.0/7.0
M75	90.0	99.0	6.5/7.5	2 ½"	80.0	90.0	6.0/7.0
M80	107.0	122.2	9.5/10.5	3"	95.0	107.0	6.0/7.0
M90	107.0	122.2	9.5/10.5	3 ½"	128.0	143.0	8.5/9.5
M100	128.0	147.0	9.5/10.5	4"	128.0	143.0	8.5/9.5
M110	128.0	147.0	9.5/10.5	5"	170.0	187.0	9.5/10.5
M115	128.0	147.0	9.5/10.5	6"	200.0	220.0	9.5/10.5
M120	140.0	152.0	9.5/10.5	---	---	---	---
M130	150.0	165.0	9.5/10.5	---	---	---	---

Ordering Examples:

Product	Thread Size	Material	Product	Thread Size	Material
Locknut	M25	Brass	Locknut	1" NPT	Brass

Nylon & Red Fibre Washers



General Information

- For use on cable gland entry threads.
- To maintain ingress protection rating of the enclosure.
- Retaining "pips" make washer captive on metric cable gland entry thread.
- M80 and above washers are only available in Red Fibre.
- Sealing washer for PG thread sizes available.

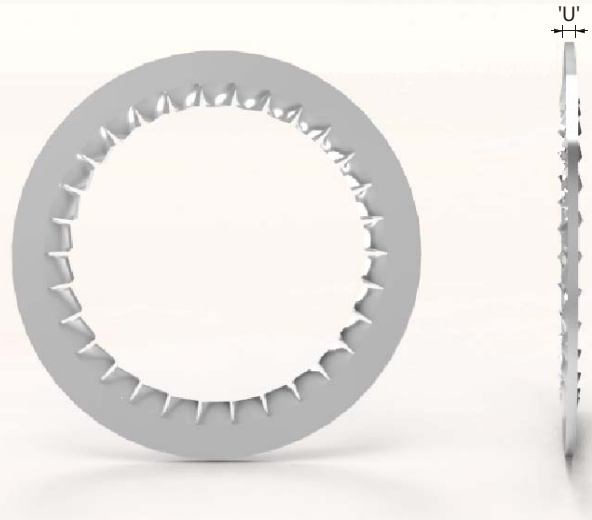
Note: All dimensions are in millimetres except where * denotes dimensions in inches.

SELECTION TABLE		
Gland Size Metric	Gland Size NPT *	Thickness
M16	½"	1.5
M20	¾"	1.5
M25	1"	1.5
M32	1 ¼"	1.5
M40	1 ½"	1.5
M50	2"	1.5
M63	2 ½"	1.5
M75	3"	1.5
M80	3 ½"	1.5
M90	4"	1.5
M100	4 ½"	1.5
M110	5 2"	1.5
M115	6"	1.5
M120	6"	1.5
M130	6"	1.5

Ordering Examples:

Product	Thread Size	Product	Thread Size
Nylon Washer	M25	Fibre Washer	M25

Serrated Washer



General Information

- For use on cable gland entry threads.
- To dampen vibrations of the cable gland / equipment assembly.
- Manufactured in Stainless Steel as standard.

Note: All dimensions are in millimetres except where * denotes dimensions in inches.

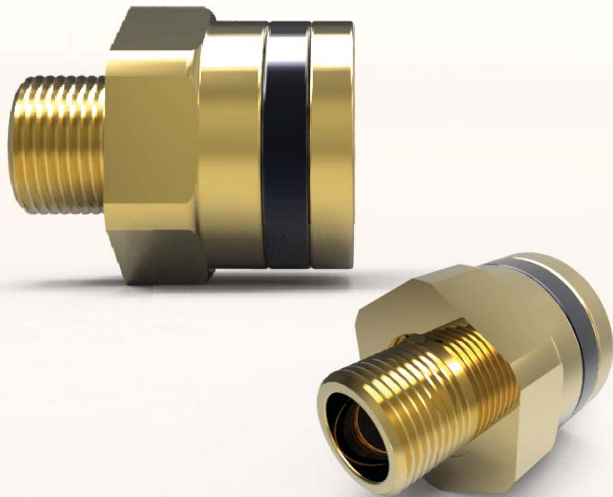
SELECTION TABLE		
Gland Size Metric	Gland Size NPT *	'U'
M16	½"	1.5
M20	¾"	1.5
M25	1"	1.5
M32	1 ¼"	1.5
M40	1 ½"	1.5
M50	2"	1.5
M63	2 ½"	1.5
M75	3"	1.5
M80	3 ½"	1.5
M90	4"	1.5
M100	4 ½"	1.5
M110	5 2"	1.5
M115	6"	1.5
M120	6"	1.5
M130	6"	1.5

Ordering Examples:

Product	Thread Size	Product	Thread Size
Serrated Washer	M25	Serrated Washer	1" NPT

Flameproof Exd Dual Certified ATEX / IECEx

478 Insulated Adaptor



Certification Details

- Increased Safety and Flameproof Exe I Mb, Exd I Mb, Exe IIC Gb, Exd IIC Gb, Extb IIC Db, Ⓢ I M2 / II 2GD.
- Certificate No's: Baseefa12ATEX0207X and IECEx BAS 12.0111X.
- GOST R certified.
- Operating Temperature Range -55°C to +95°C.
- Group I, II and III.

General Information

- For converting dissimilar or similar thread forms or thread sizes and insulating cable gland entry from the equipment.
- Manufactured in Brass, Nickel Plated Brass, Steel, Nickel Plated Steel, Stainless Steel. (Aluminium for Group II use only).
- Insulating Material: Polyamide
- M20 to M75 as standard.
- Other parallel thread options available on request, including BSPP, PG, ET and NPSM.
- NPT threads can also be supplied in sizes ranging from ½" to 3"
- Male and Female thread entries are the same.
- Suitable for use in Zone 1, Zone 2, Zone 21 and Zone 22.
- Construction and Test Standards: IEC/EN 60079-0, IEC/EN 60079-1 IEC/EN 60079-7 and IEC/EN 60079-31.
- Ingress Protection: IP66.
- Assembly Instruction Sheet: AI 426.

SELECTION TABLE

Male Thread Size	Thread Pitch (mm)	Female Thread Size	Thread Pitch (mm)	Thread Length (mm)	Across Flats (mm)	Across Corners (mm)
M20	1.5	M20	1.5	15	36.0	39.5
M25	1.5	M25	1.5	15	46.0	50.5
M32	1.5	M32	1.5	15	55.0	60.6
M40	1.5	M40	1.5	15	65.0	70.5
M50	1.5	M50	1.5	15	80.0	88.0
M63	1.5	M63	1.5	15	95.0	104.0
M75	1.5	M75	1.5	15	106.4	115.0

Ordering Example:

Product	Thread Size	Pitch	Material	Finish
478	M20 Male x ¾" NPT Female	1.5 mm	Brass	Nickel Plated

Always state the male thread first

Shrouds



General Information

- Available to fit Hawke gland sizes Os to J.
- Suitable for outdoor or indoor use.
- For fitting over cable glands when additional environmental and corrosion protection is required.
- Manufactured in Low Smoke and Fume, Halogen Free TPE material with excellent UV, ozone and weathering resistance.
- Black supplied as standard, other colour options are available, please contact the Hawke Sales Team for further information.

Ordering Example:

Product	Thread Size
Shroud	C