



KILLARK[®]

HUBBELL ELECTRICAL PRODUCTS
A Division of HUBBELL INCORPORATED (Delaware)
3940 Dr. Martin Luther King Drive
St. Louis, Missouri 63113 USA

INSTALLATION, OPERATION, & MAINTENANCE DATA SHEET For QUANTUM[®] ENCLOSURES (EXB-N34 & EXBLT-N4 Junction Boxes)

**For use in Class I, Groups B, C & D, Type 3 & 4, Class II, Groups E, F & G and Class III Hazardous Locations,
as defined by the Canadian Electrical Code and the National Electrical Code.**

INSTALLATION INSTRUCTIONS

This junction box must be installed by trained, qualified and competent personnel. Installation must comply with local, state and national regulations, as well as safety practices for this type of equipment.

WARNING: Electrical power **must** be **OFF** during installation. **Disconnect** primary power source and **lock out**.

The mounting location must be flat and provide proper clearance, rigidity and strength to support the enclosure and all contained devices. (Refer to Figures 1 & 2)

Larger enclosures are equipped with factory installed hinges. Enclosure should be mounted with hinges on the left. **Do not** mount the enclosure with hinges on the **top** or **bottom** side. (See Figure 3)

Securely fasten the enclosure to the mounting location, using ½" diameter steel mounting bolts and washers, or washer head bolts. Install sealing fittings and conduit using an approved electrical conducting type lubricant on the threads. The conduit thread connections must be tapered pipe thread conforming to ANSI/ASME B1.20.1. A minimum of five (5) full threads engagement is required for all conduit connections. Conduit sealing fittings, approved for the specific hazardous location where the enclosure is used, must be installed within 18" of the enclosure. All unused conduit openings must be plugged using a close-up plug approved for the specific hazardous location where the enclosure is used. Plugs must be tightly installed with a minimum engagement of five (5) full threads.

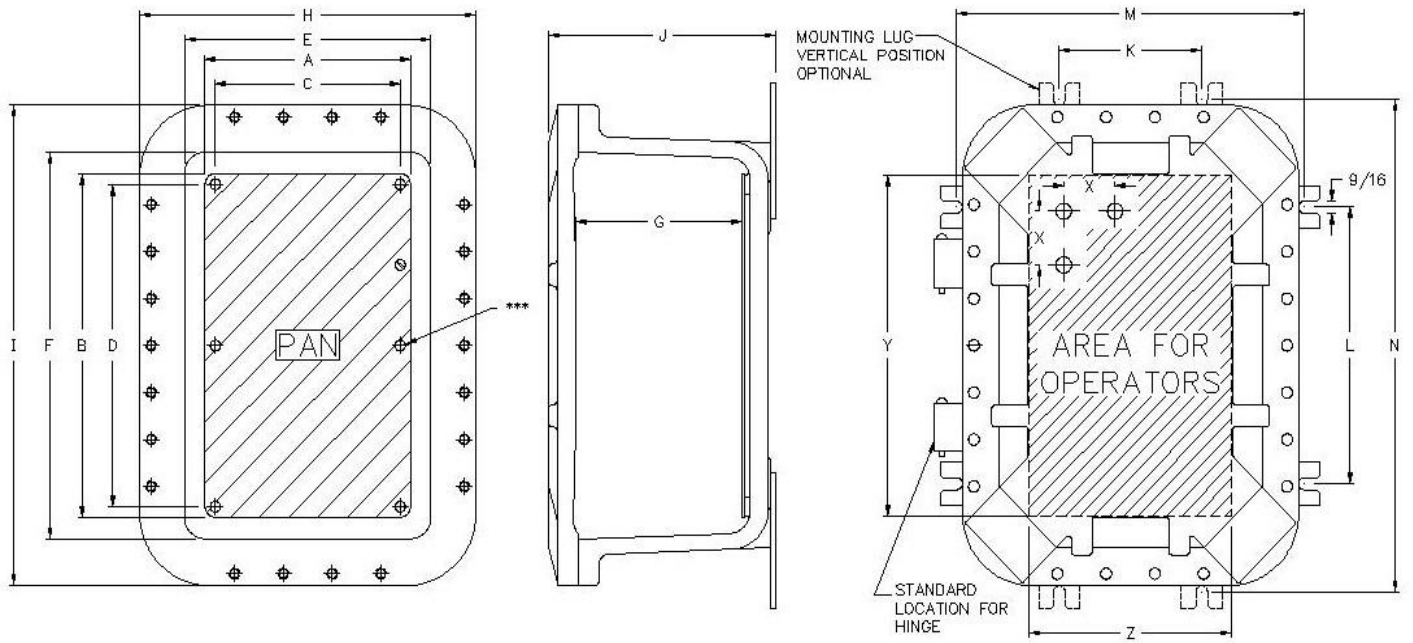
IMPORTANT: Install only U.L. listed and CSA certified auxiliary control devices for hazardous locations (Long and Extra-Long style only). Refer to individual operator installation sheet for installation details. The minimum wall thickness of counter-bore (where required) and operator spacing are to be determined from the dimensional chart on Pages 2 & 3.

NOTE: If installing a breather and/or drain, make certain they are suitable for the specific hazardous location where they are to be used. Also, provide a protective device to shield the breather and drain during hose-down operations.

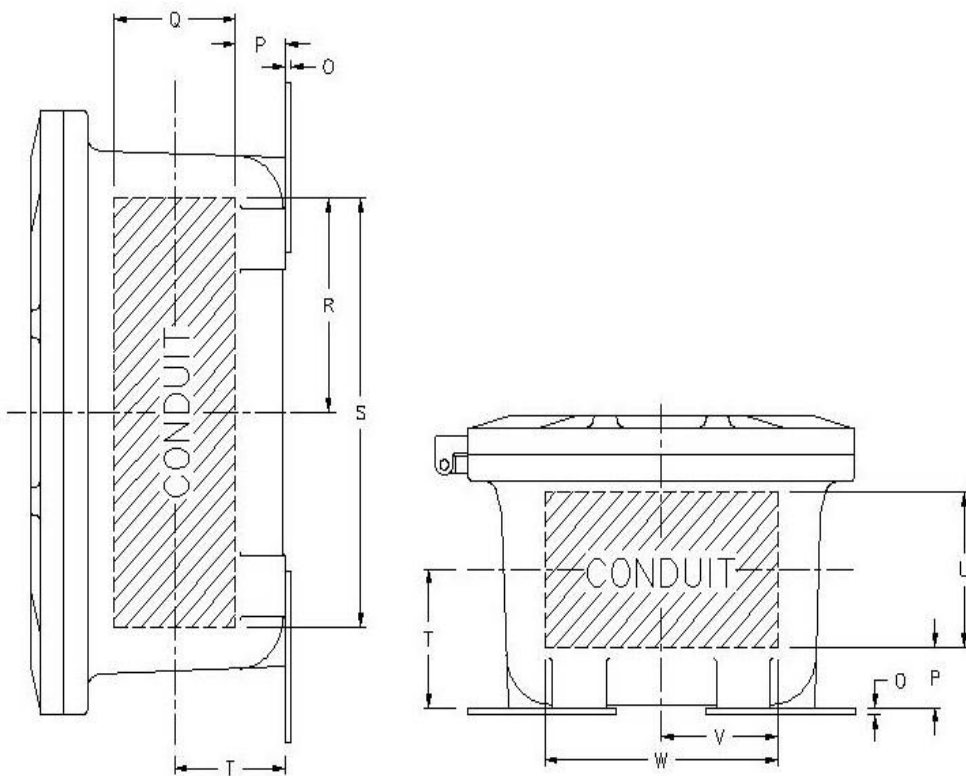
Inspect and clean the machined flange flame joint surfaces of both the cover and box. Surfaces must be smooth, free of nicks, scratches, dirt or any foreign particle build-up that would prevent a proper seal. Surfaces must seat fully against each other to provide a proper explosion-proof joint. Clean surfaces by wiping with a clean, lint-free cloth.

Apply a light coat of Killark "LUBG" lubricant to flange surfaces and close the cover. Install and tighten all cover bolts to 30 ft. lbs. Make certain no cover bolts are omitted. Use only those bolts supplied with the enclosure. Check the bolted joint with a .0015" thick feeler gauge. The gauge **must not enter** the joint more than 1/8" at any point.

NOTE: Missing bolts or an improper joint can result in an explosion, creating a potential for physical injury or property damage.



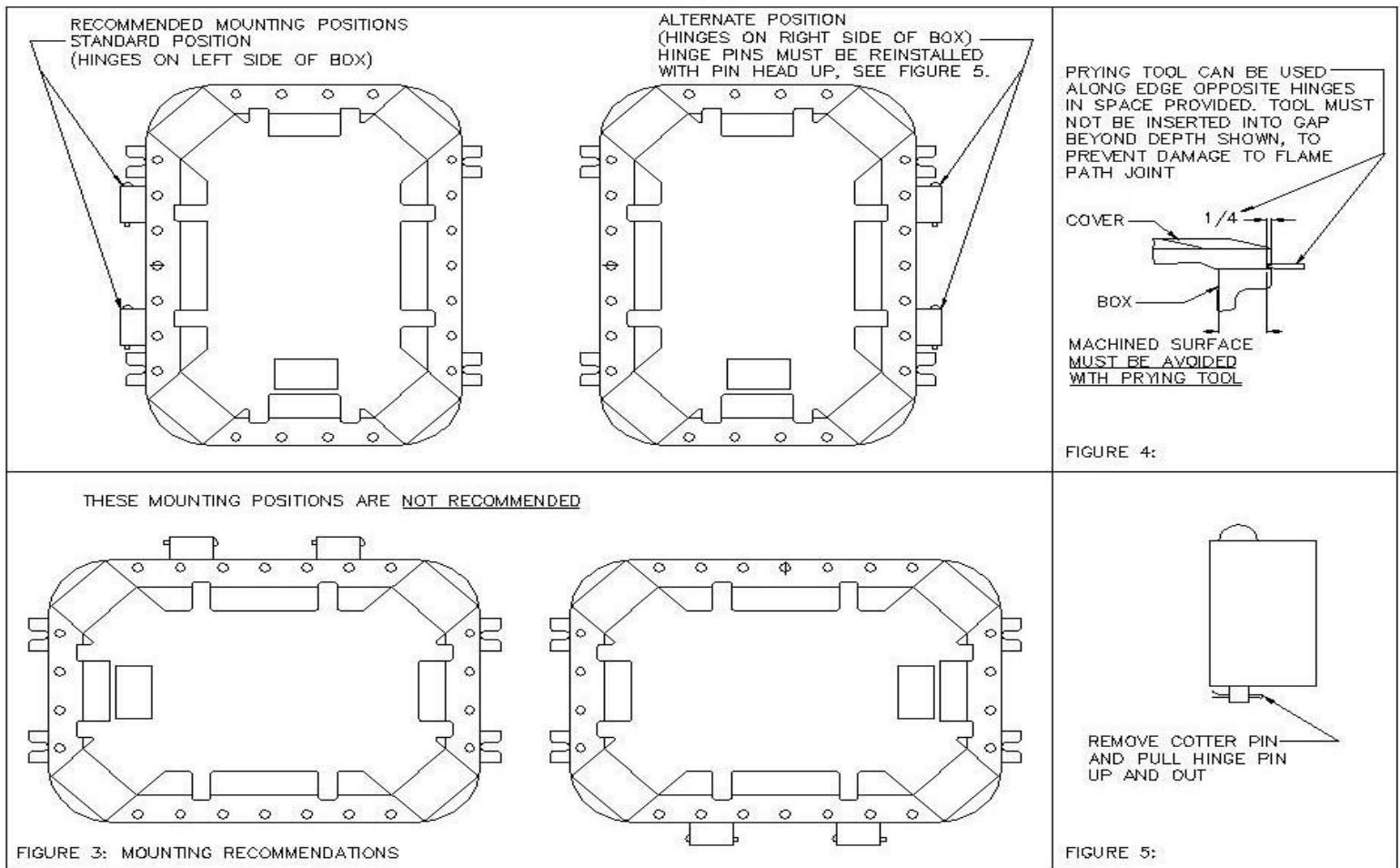
NOTE:
 EXB SERIES 664,866,8104 & 8106
 ENCLOSURES HAVE HORIZONTAL
 MOUNTING LUG POSITION ONLY



MOUNTING LUG
 CAN BE ROTATED 90°
 TO VERTICAL POSITION
 IF DESIRED

STANDARD
 MOUNTING LUG
 POSITION

3/8"-16 X 3/4" HEX SOCKET FLAT HEAD
 STEEL SCREW (2 SCREWS PER LUG)
 TIGHTEN USING 3/16" HEX KEY WRENCH
 TO 25 FT./LBS



MAINTENANCE INSTRUCTIONS

After installation, this junction box should be inspected at regular intervals. A visual inspection should ascertain that all cover bolts are installed and still tight; that all conduit connections are intact and free of corrosion, and that the enclosure mounting bolts are tight and in good condition.

If the enclosure must be opened for servicing, to check or replace internal devices and apparatus, the following procedures should be followed.

WARNING: Before servicing the enclosure, be certain the electrical power is OFF. Disconnect the enclosure from primary power source and lock out.

Remove all cover bolts. Clean and inspect. Replace any corroded, bent or otherwise damaged bolts with new, factory authorized bolts obtained from an authorized Killark distributor.

Open enclosure. **Do not** use hammer, screwdriver or any prying tool to open cover, except as shown in Figure 4.

Inspect cover hinges. If hinges are damaged or do not function properly, contact a factory authorized service representative for hinge replacement and installation.

Inspect machined, flame joint flange surfaces. Surfaces must be smooth, free of nicks, scratches, dirt or any foreign particle build-up that would prevent a proper seal. Should surface be damaged contact factory. Never attempt to rework surfaces by sanding, grinding, etc. Surfaces must seat fully against each other to provide a proper explosion-proof joint.

Inspect water exclusion gasket. If gasket is damaged, **do not** attempt field replacement or repair.

Contact a factory authorized representative for a replacement cover. When removing gasketed cover for replacement, **do not** detach hinge body from cover (NOTE: Optional hinges on 664, 886, 8104 & 8106 enclosures **must** be removed from cover).

Remove cover and hinge body from enclosure by removing the hinge pins. (See Figure 5) The damaged gasket can be removed from the cover and the cover without gasket can be safely used in Class I & II hazardous (classified) locations, however, the enclosure may **not** be raintight or hosesdown tight.

Clean flange surfaces by wiping with a clean, lint-free cloth. Apply a light coating of Killark "LUBG" lubricant to flange surfaces and close cover. Install and tighten **all** cover bolts to 30 ft. lbs. Make certain no cover bolts are omitted. Use **only** factory authorized bolts. Check the flame joint with a .0015" thick feeler gauge. The gauge must not enter the flame joint more than 1/8 inch at any point. Missing bolts or an improper flame joint can result in an explosion, creating a potential for physical injury and property damage.

Technical information, advice and recommendations contained in these documents is based on information that Killark believes to be reliable. All the information and advice contained in the documents is intended only for use by persons having been trained and possessing the requisite skill and know-how and to be used by such persons only at their own discretion and risk. The nature of these instructions is informative only and does not cover all of the details, variations or combinations in which this equipment may be used, its storage, delivery, installation, check out, safe operation, and maintenance. Since conditions of use of the product are outside of the care, custody and control of Killark, the purchaser should determine the suitability of the product for his intended use, and assumes all risk and liability whatsoever in connection therewith.